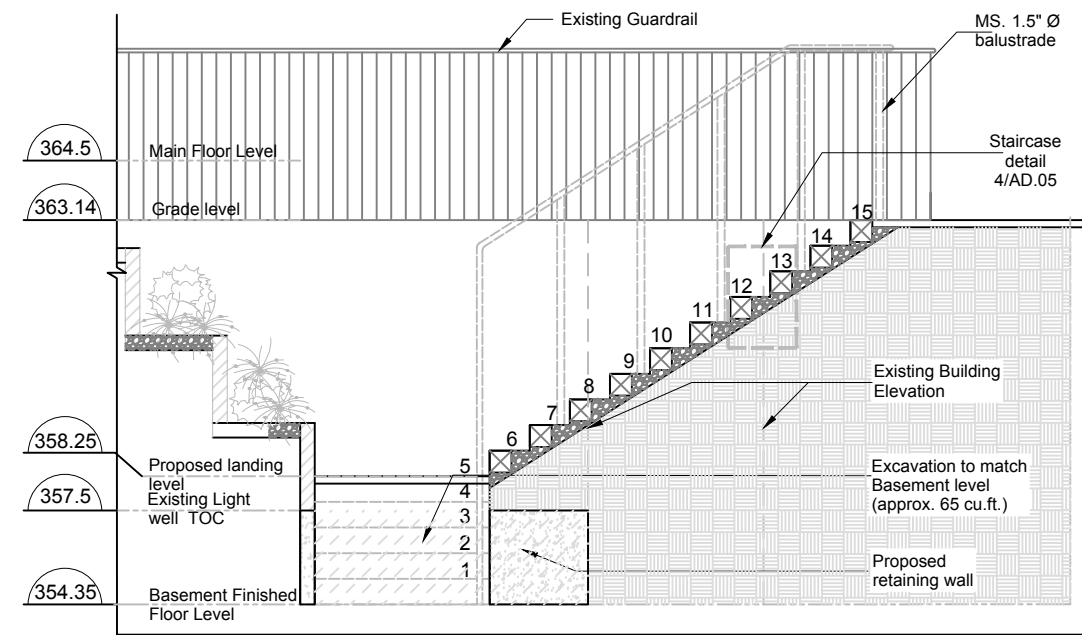
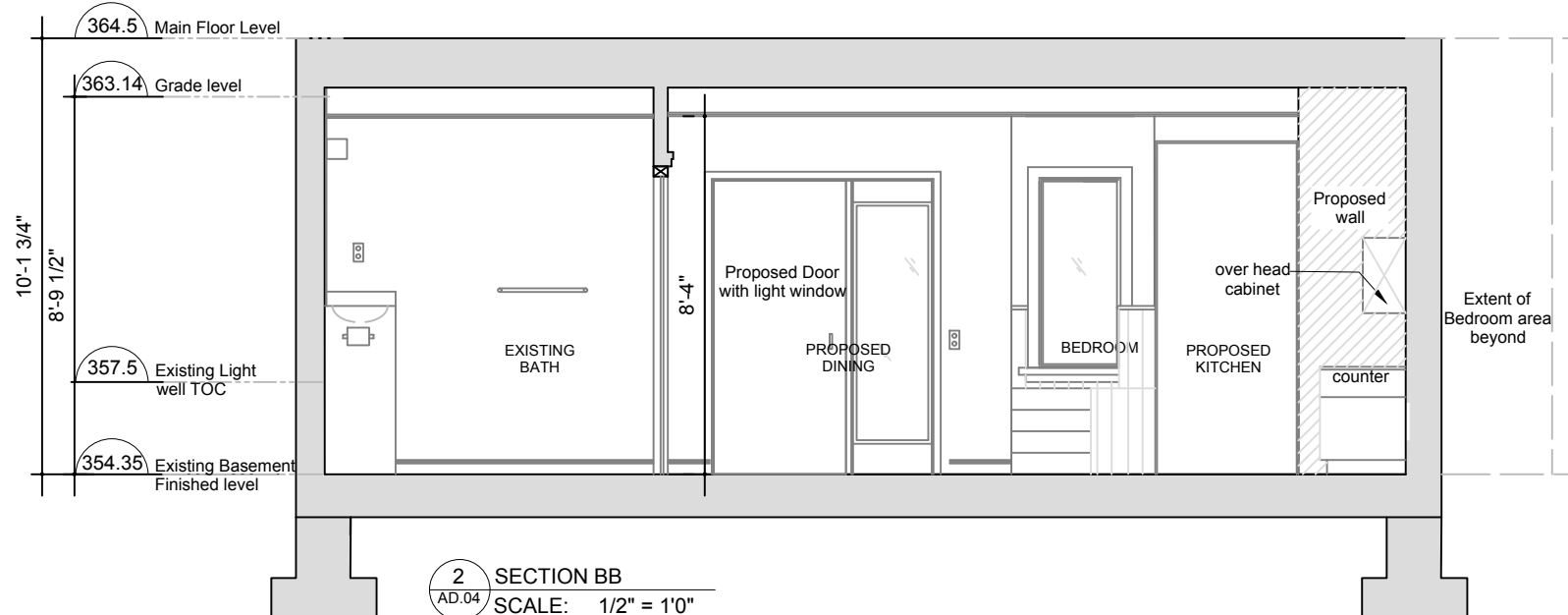


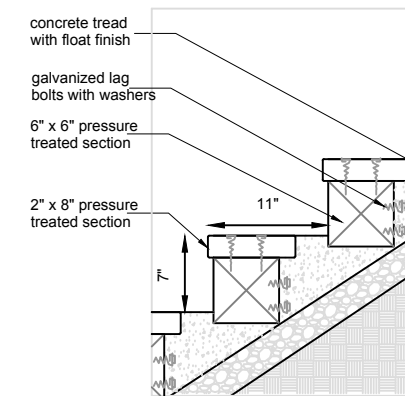
1 SECTION AA  
AD.04 SCALE: 1/2" = 1'0"



3 DETAIL SECTION CC  
AD.04 SCALE: 1/2" = 1'0"  
Riser : 18 @ 6.75"  
Tread : 17 @ 11"  
Handrail : 48" ht.



2 SECTION BB  
AD.04 SCALE: 1/2" = 1'0"



4 STAIRCASE DETAIL  
AD.05 SCALE: 1 1/2" = 1'0"

|   |             |                |
|---|-------------|----------------|
| Revision  |             |                |
| No.   | Date        | Revision Notes |
|   |             |                |
| Project Name  |             |                |
| 3738 Angus Drive - Secondary Suite Development                |             |                |
| Issue No. Date Issue Notes                                    |             |                |
|   |             |                |
| Drawing Title   |             |                |
| PROPOSED SECTIONAL ELEVATION AND DETAILS                      |             |                |
| Address   |             |                |
| 200-1111 West Georgia Street,<br>Vancouver, BC V6E 4S4 Canada |             |                |
| T 604 688 8387   F 604 688 8377  <br>info@holborn.ca          |             |                |
| Project Manager   | Project ID  |                |
| Drawn By  | AW/KB       | Scale          |
| Reviewed By   | JT          | VARIES         |
| Date  | 28 May 2019 | Drawing No.    |
|   |             | AD.05          |



**E1 EAST ELEVATION**  
**AD.04 SCALE: 1/4" = 1'0"**

363.14  
 358.25  
 357.5  
 354.35

New Staircase  
 Existing step planter  
 Existing window  
 New Door

STEPPED LIGHT WELL

New landing level  
 Existing Light well  
 TOC. level  
 Existing Basement Floor  
 level



**E2 SOUTH ELEVATION**  
**AD.04 SCALE: 1/4" = 1'0"**

|   |              |
|---|--------------|
| Revision  |              |
| No.   | Date         |
| Revision Notes  |              |
|   |              |
| Project Name  |              |
| 3738 Angus Drive - Secondary Suite Development                |              |
| Issue No.   |              |
| Date  | Issue Notes  |
|   |              |
| Drawing Title   |              |
| EAST & SOUTH ELEVATIONS                                       |              |
| Address   |              |
| 200-1111 West Georgia Street,<br>Vancouver, BC V6E 4S4 Canada |              |
| T 604 688 8387   F 604 688 8377  <br>info@holborn.ca          |              |
| Project Manager   | Project ID   |
|   |              |
| Drawn By  | Scale        |
| AW/KB   | 1/4" = 1'-0" |
| Reviewed By   | Drawing No.  |
| JT  | AD.06        |
| Date  |              |
| 28 May 2019   |              |



**E3 WEST ELEVATION**  
**AD.04 SCALE: 1/4" = 1'0"**



**E4 NORTH ELEVATION**  
**AD.04 SCALE: 1/4" = 1'0"**

|   |  |      |             |                |  |
|---|--|------|-------------|----------------|--|
| Revision No.  |  | Date |             | Revision Notes |  |
|   |  |      |             |                |  |
| Project Name  |  |      |             |                |  |
| 3738 Angus Drive - Secondary Suite Development                |  |      |             |                |  |
| Issue No.   |  | Date |             | Issue Notes    |  |
|   |  |      |             |                |  |
| Drawing Title   |  |      |             |                |  |
| NORTH & WEST ELEVATIONS                                       |  |      |             |                |  |
| Address   |  |      |             |                |  |
| 200-1111 West Georgia Street,<br>Vancouver, BC V6E 4S4 Canada |  |      |             |                |  |
| T 604 688 8387   F 604 688 8377  <br>info@holborn.ca          |  |      |             |                |  |
| Project Manager   |  |      | Project ID  |                |  |
|   |  |      |             |                |  |
| Drawn By  |  |      | Scale       |                |  |
| Reviewed By   |  |      | Drawing No. |                |  |
| AW/KB   |  |      | VARIES      |                |  |
| Date  |  |      |             |                |  |
| JT  |  |      | AD.09       |                |  |
| 28 May 2019   |  |      |             |                |  |