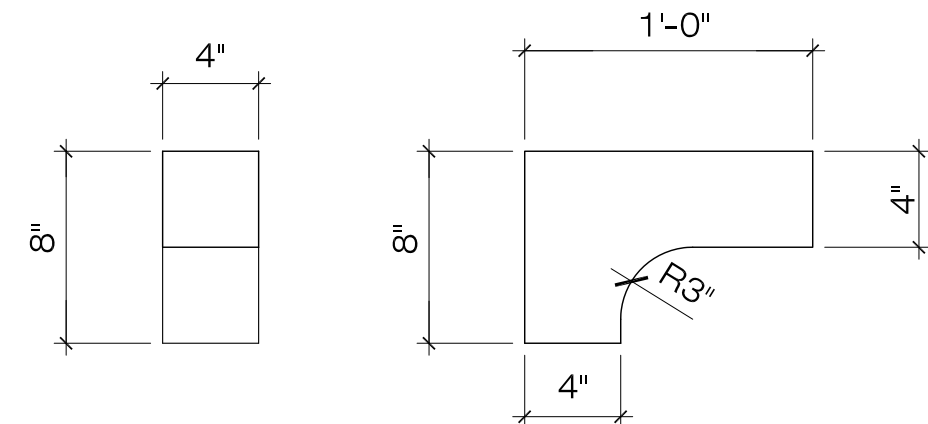
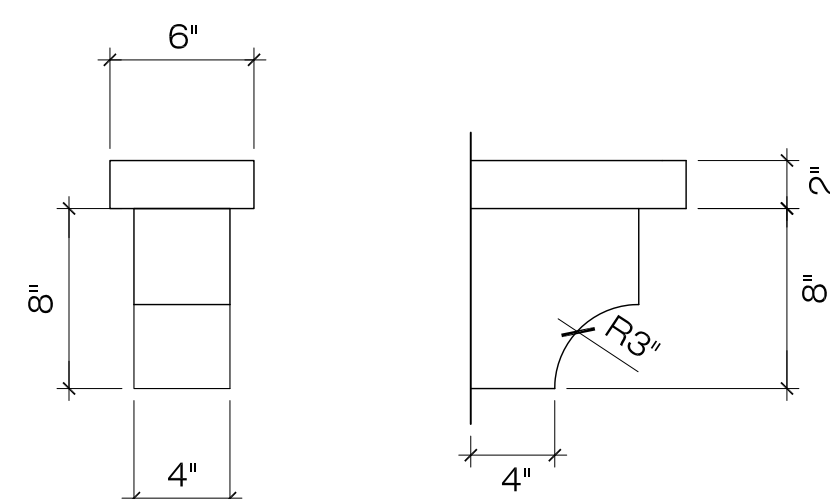


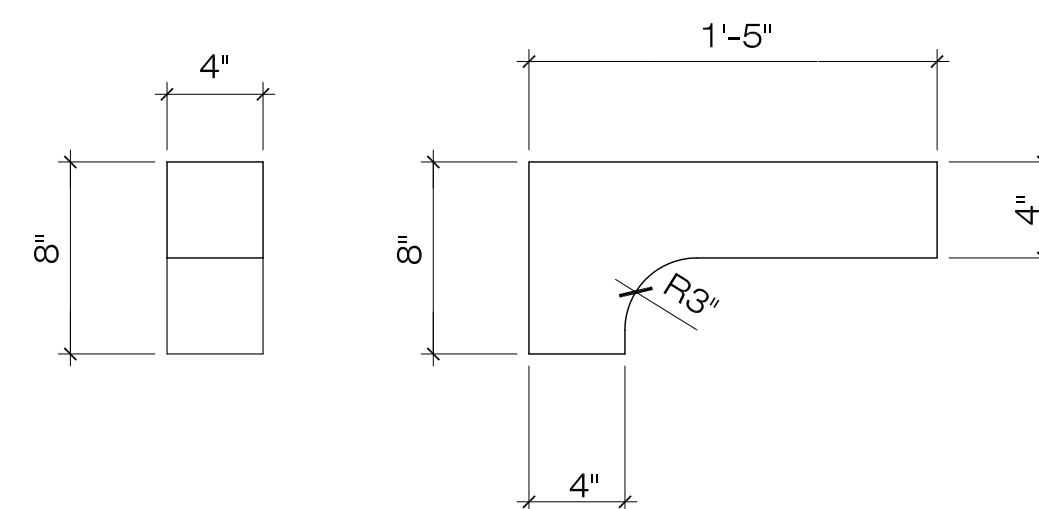
3 WOOD BRACKET
SCALE: 1/2" = 1'-0"



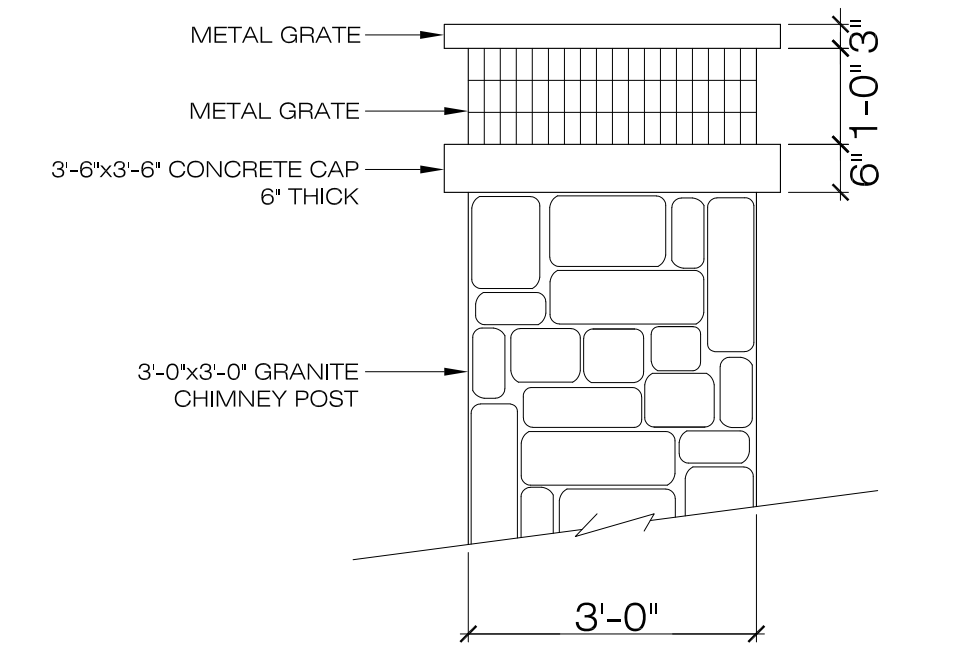
12 WOOD BRACKET
SCALE: 1 1/2" = 1'-0"



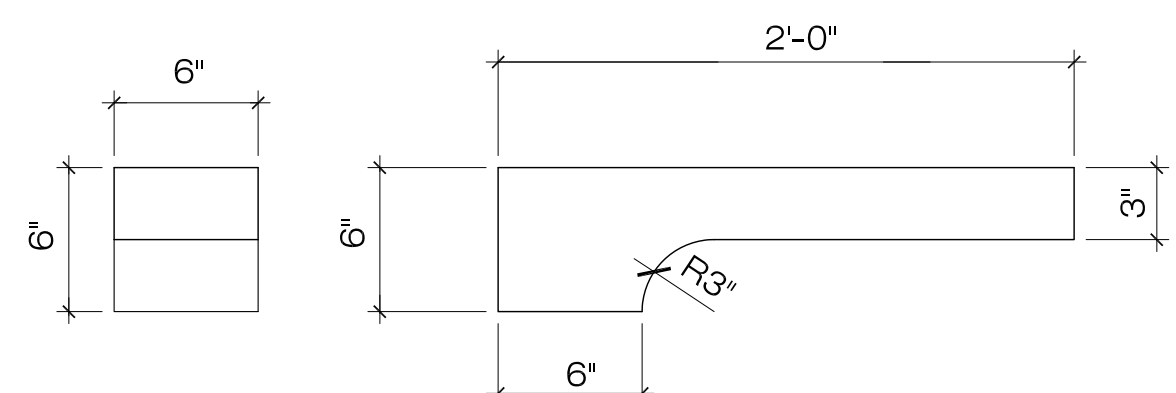
2 WOOD BRACKET
SCALE: 1 1/2" = 1'-0"



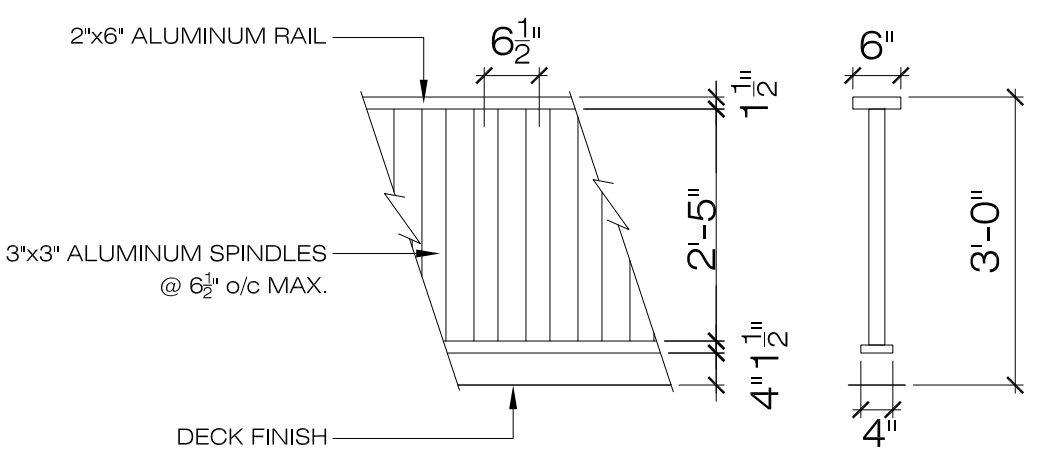
8 WOOD BRACKET
SCALE: 1 1/2" = 1'-0"



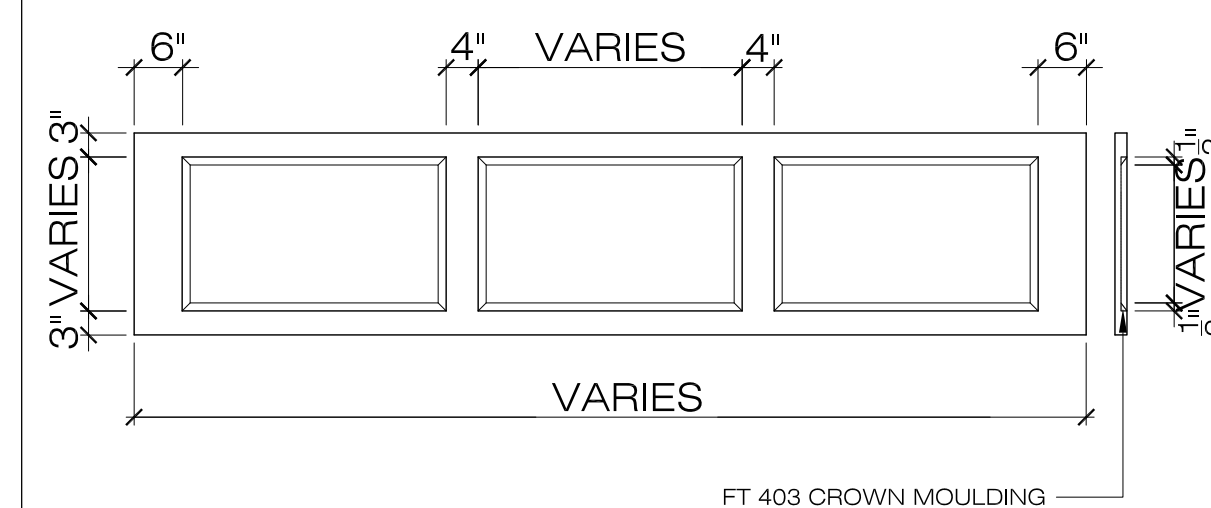
6 GRANITE CHIMNEY
SCALE: 1/2" = 1'-0"



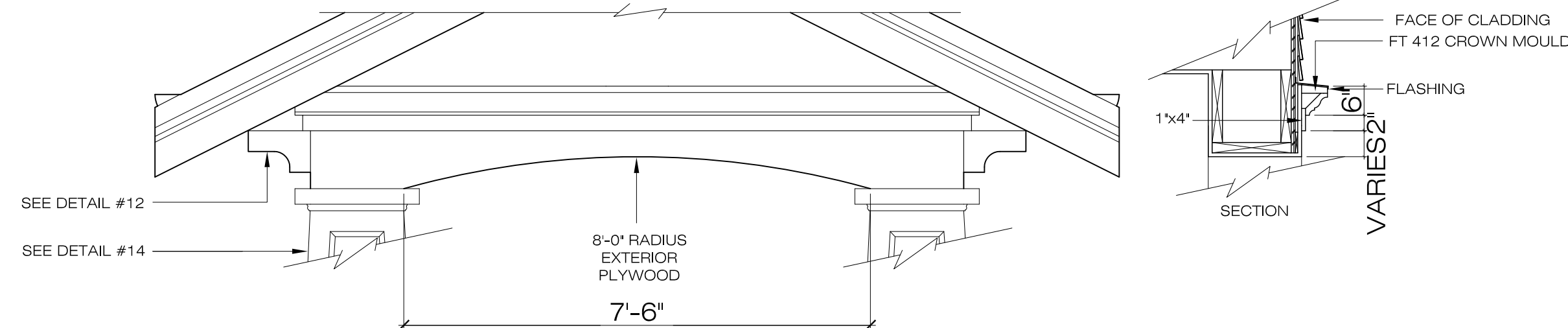
24 WOOD BRACKET
SCALE: 1 1/2" = 1'-0"



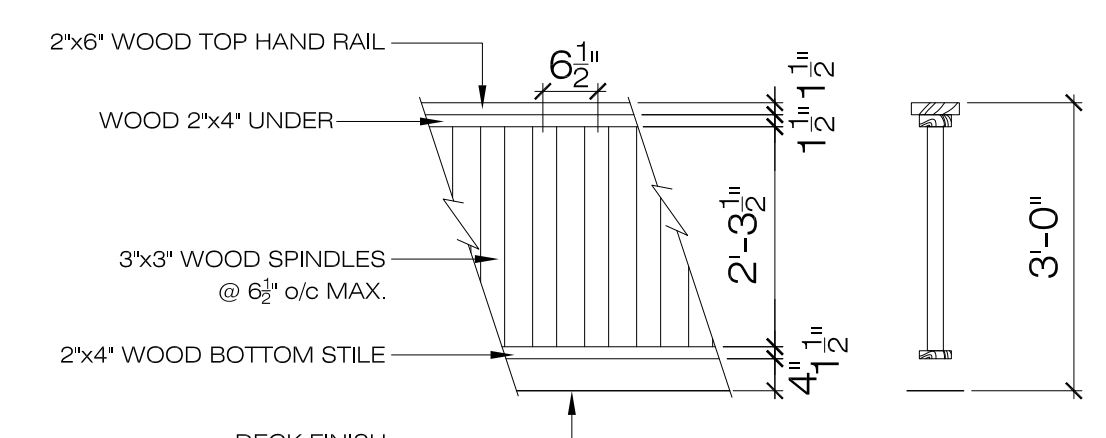
27 ALUMINUM GUARDRAIL
SCALE: 1/2" = 1'-0"



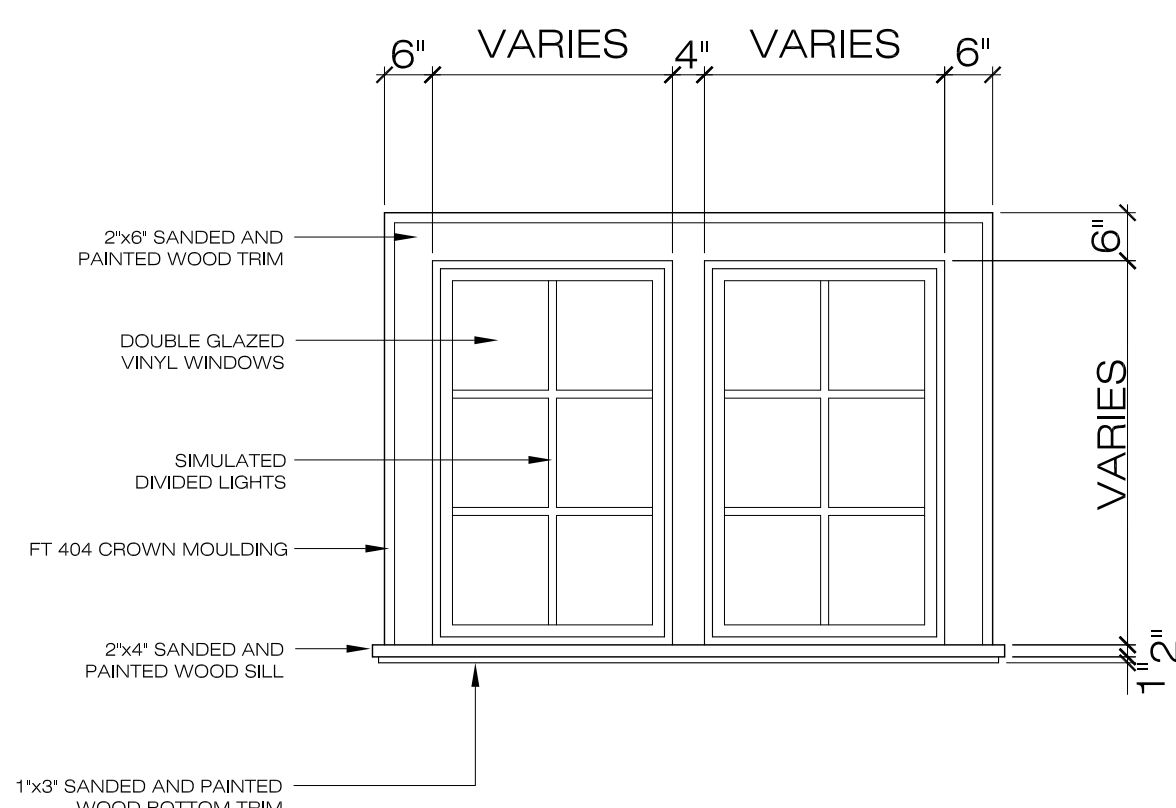
10 T.Y.P. WOOD PANELS
SCALE: 1/2" = 1'-0"



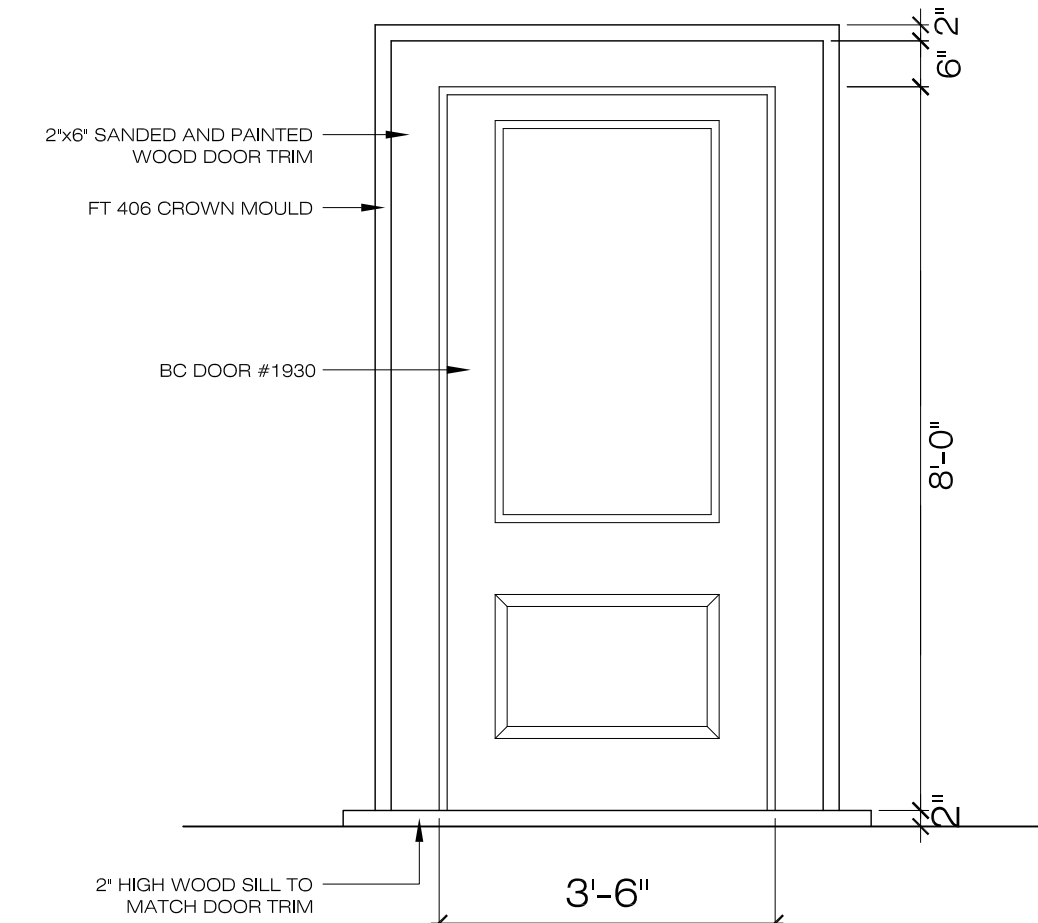
20 ARCHED TRIM BOARD
SCALE: 1/2" = 1'-0"



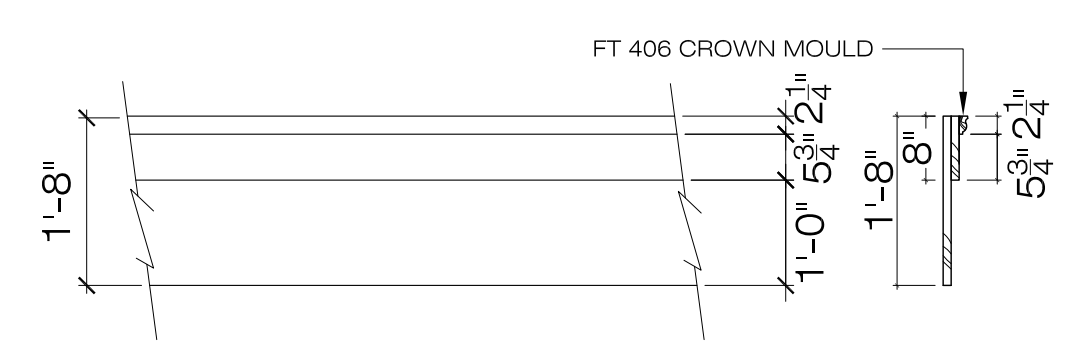
15 WOOD GUARDRAIL
SCALE: 1/2" = 1'-0"



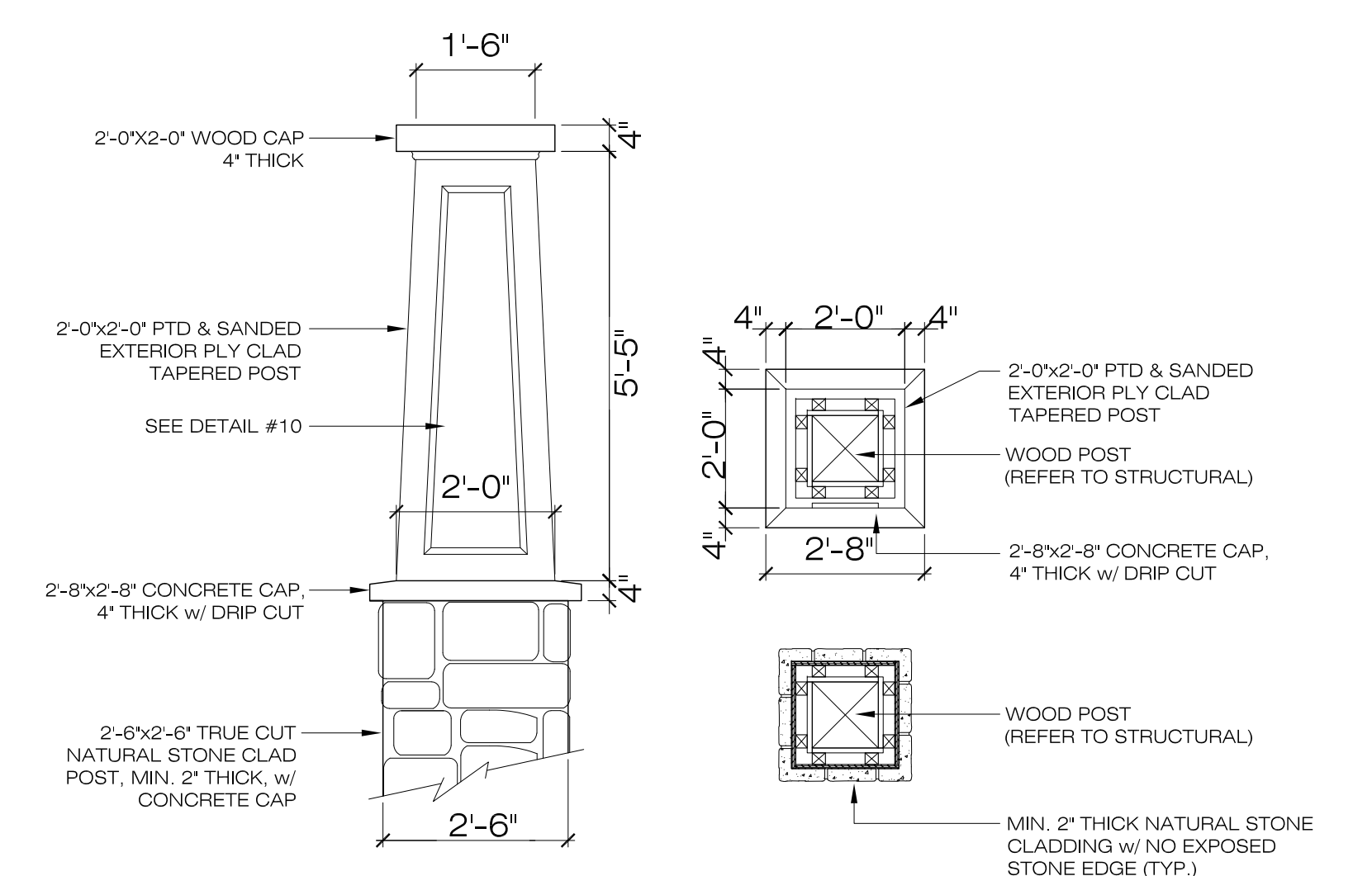
13 TYPICAL WINDOW
SCALE: 1/2" = 1'-0"



18 FRONT DOOR
SCALE: 1/2" = 1'-0"



1 TRIM BOARD
SCALE: 1/2" = 1'-0"



14 GRANITE POST
SCALE: 1/2" = 1'-0"

CONTRACTORS SHALL VERIFY ALL DIMENSIONS, DATUM AND LEVELS PRIOR TO THE COMMENCEMENT OF WORK. ALL ERRORS AND OMISSIONS TO BE REPORTED IMMEDIATELY TO EDG HOMES INC. VARIATIONS AND MODIFICATIONS TO THE WORK SHOWN ON THESE DRAWINGS SHALL NOT BE CARRIED OUT WITHOUT THE PRIOR APPROVAL OF THE OWNER.

5		
4		
3		
2		
1	DE	28/05/2019
	REV.	DATE



PROJECT:
3472 WEST 1ST AVENUE
VANCOUVER, BC

DRAWING:
DETAILS

SCALE: AS NOTED
DATE: MAY 10, 2019

A8