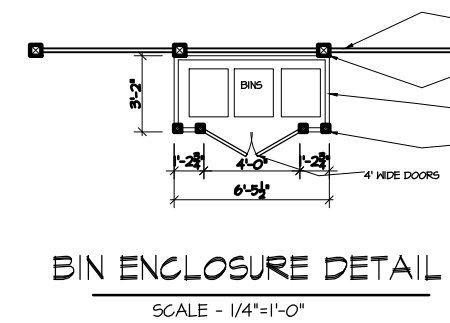
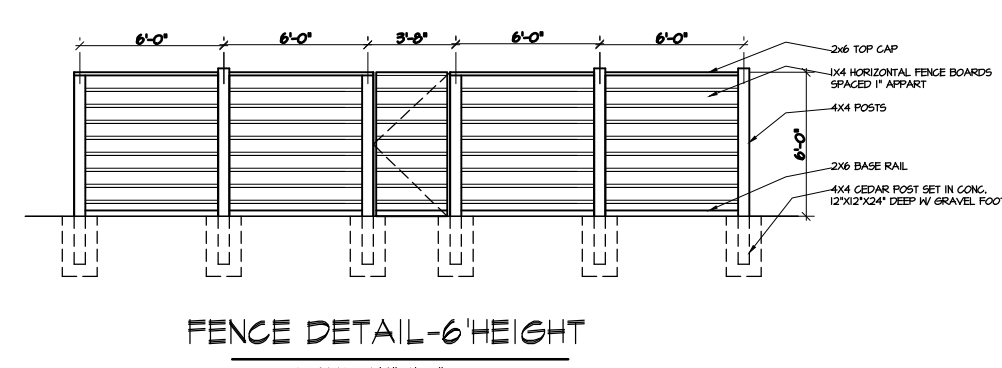
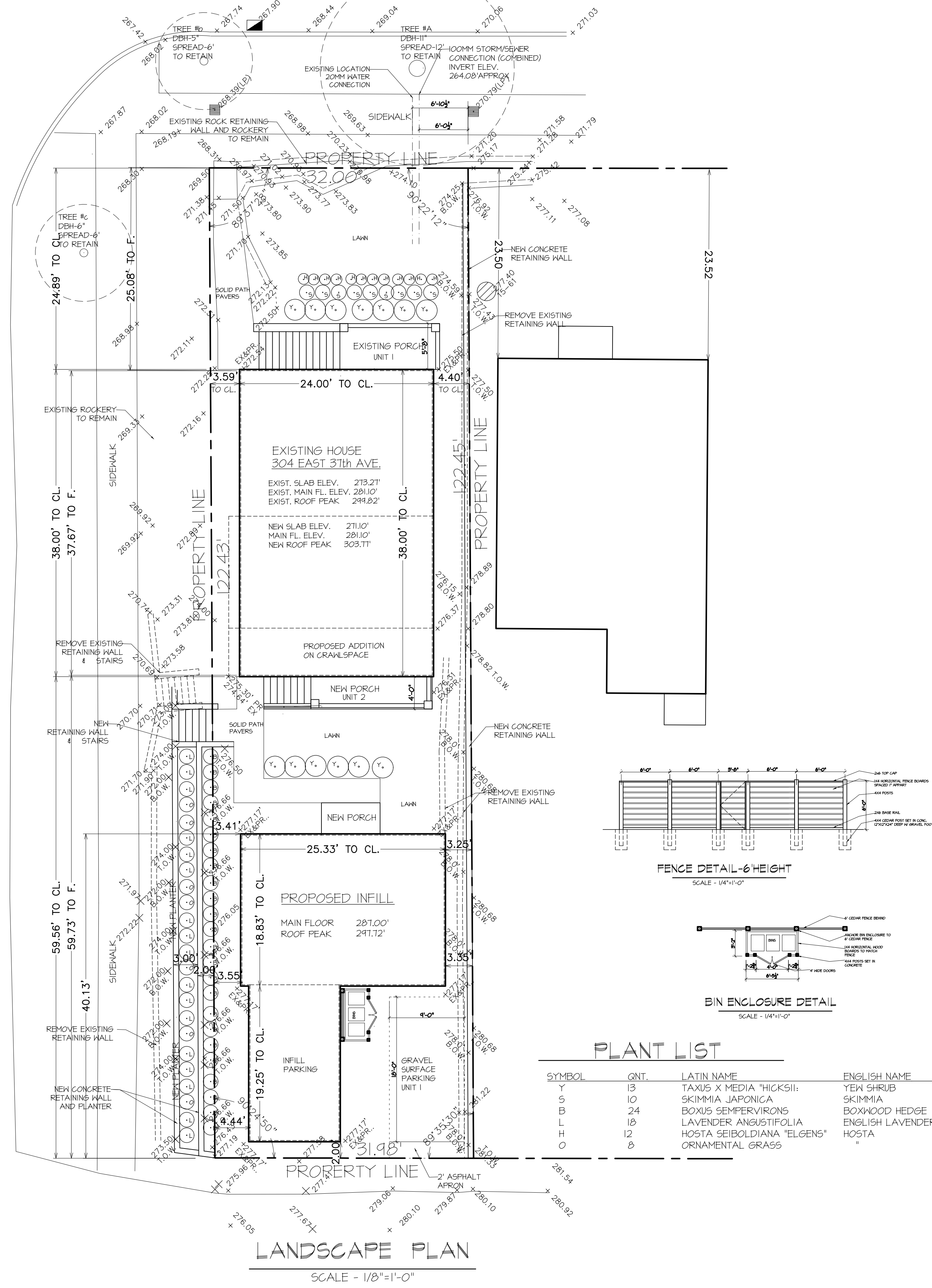


Sophia Street

East 37th Avenue

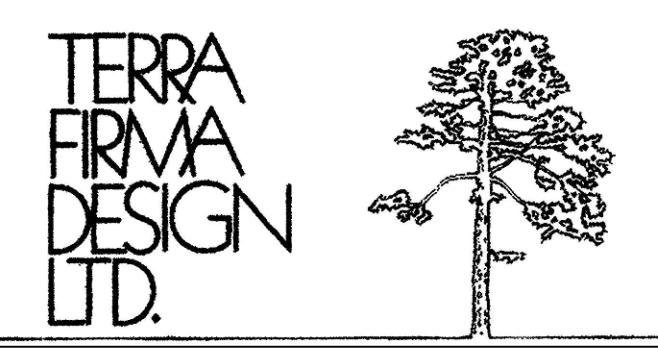


PLANT LIST

SYMBOL	QNT.	LATIN NAME	ENGLISH NAME	SIZE
Y	13	TAXUS X MEDIA 'HICKSII'	YEW SHRUB	2M B4B
S	10	SKIMMIA JAPONICA	SKIMMIA	#5 POT
B	24	BOXUS SEMPERVIRENS	BOXWOOD HEDGE	#3POT @ 16"OC
L	18	LAVENDER ANGUSTIFOLIA	ENGLISH LAVENDER	#2 POT
H	12	HOSTA SEIBOLDIANA 'ELGENS'	HOSTA	#3 POT
O	8	ORNAMENTAL GRASS		#2 POT

LANDSCAPE PLAN
SCALE - 1/8"=1'-0"

REVISIONS.
PROJECT. NO.
RENOVATION & INFILL
304 East 37th Ave.
VANCOUVER, B.C.



DATE: DEC. 2018 DESIGN BY: D. SPENCER
SCALE: AS NOTED
DRAWING NO. **L1** OF 8
COPYRIGHT RESERVED.