

PLANT LIST

Code	Scientific Name	Common Name	Size	Spacing	Quantity	Comments
Trees						
AP	Acer palmatum	Japanese Maple	Cal. 6cm	As Show	1	
GT	Gleditsia triacanthos	Honey Locust	Cal. 6cm	As Shown	1	Full, even spread tree crown
TO	Thuja occidentalis 'Emerald'	Emerald Arborvitae	2.5m tall	600mm O.C.	28	Trim to hedge shape
Shrubs						
Ac	Amelanchier canadensis	Shadblow Serviceberry	1.5m tall	As Shown	1	
Af	Azalea 'Girard's Fuchsia'	Evergreen Azalea	0.5m tall	600mm O.C.	4	
Aj	Aucuba japonica	Spotted Laurel	1m tall	600mm O.C.	1	
Cn	Camellia japonica 'Nuccio's Gem'	Nuccio's Gem Camellia	2.5m tall	As Shown	2	
Gs	Gaultheria shallon	Salal	#1 Pot	600mm O.C.	24	
Ha	Hydrangea 'Annabelle'	Annabelle Hydrangea	1m tall	As Shown	3	
Ic	Ilex crenata 'convexa'	Japanese Holly	#1 Pot	600mm O.C.	15	
Pm	Pinus Mugo	Mugo Pine	1m tall	As Shown	3	
Po	Physocarpus opulifolius 'Diabolo'	Ninebark	1.2m tall	As Shown	1	
Pt	Pachysandra terminalis	Japanese Pachysandra	#1 Pot	450mm O.C.	10	
Rg	Rhus glabra	Sumac	2.5m tall	As Shown	1	
Ro	Rhododendron Spp.	Rhododendron	1m tall	As Shown	4	
Sh	Sarcococca hookeriana var. humilis	Sweet Box	#1 Pot	600mm O.C.	21	
Sr	Sambucus racemosa	Pacific Red Elderberry	1m tall	As Shown	1	
Sn	Sambucus nigra 'Black Lace'	Elderberry	1.2m tall	As Shown	1	
Vp	Vaccinium parvifolium'	Red Huckleberries	1m tall	As Shown	1	
Vd	Viburnum davidii	David viburnum	#2 Pot	As Shown	1	
Perennials						
ac	Astilbe chinensis 'Purple Candles'	Chinese Astilbe	#1 Pot	450mm O.C.	7	
ag	Allium Giganteum	Giant Onion	#1 Pot	As Shown	4	
ap	Artemisia 'powis castle'	Wormwood	#1 Pot	450mm O.C.	1	
bg	Brachyglottis greyi	Daisy Bush	#1 Pot	450mm O.C.	1	
cp	Crocsmia 'Prince of Orange'	Prince of Orange Crocosmia	#1 Pot	450mm O.C.	1	
ct	Carex Testacea	Prairie Fire Grass	#1 Pot	As Shown	2	
cv	Calluna vulgaris 'White Coral'	White Coral Heather	#1 Pot	450mm O.C.	4	
es	Echinacea purpurea	Purple Coneflowers	#1 Pot	450mm O.C.	1	
ew	Euphorbia characias subsp wulfenii	Euphorbia	#1 Pot	450mm O.C.	1	
he	Helictotrichon sempervirens	Blue Oat Grass	#1 Pot	As Shown	1	
hp	Host spp.	Hostas	#1 Pot	450mm O.C.	4	Variety colors
ik	Iris Kaempferi	Japanese Iris	#1 Pot	450mm O.C.	3	
ir	Imperata cylindrica 'Red Baron'	Japanese Blood Grass	#1 Pot	450mm O.C.	1	
jp	Juncus pallidus 'Javelin'	Rush	#1 Pot	450mm O.C.	1	
lo	Lobelia cardinalis	Cardinal Flower	#1 Pot	450mm O.C.	1	
sv	Salvia verticillata 'Purple Rain'	Purple Rain Salvia	#1 Pot	450mm O.C.	1	

Lawn sod --- --- --- --- 615 square feet

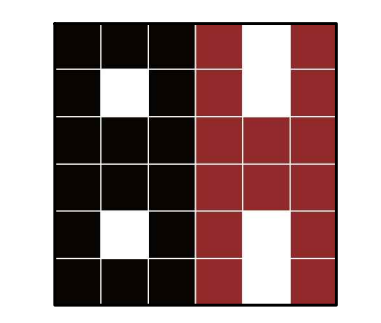
THIS PLANS ARE IN COMPLIANCE WITH V.B.B.L. 2014

THE GENERAL CONTRACTOR SHALL REVIEW THE DOCUMENTS FOR CONFORMANCE CODES AND BY-LAWS AND SHALL ADVISE THE DESIGNER OF ANY DISCREPANCY HE MAY NOTE. THE GENERAL CONTRACTOR SHALL CHECK AND VERIFY ALL DIMENSIONS AND REPORT ALL ERRORS AND OMISSIONS TO THE DESIGNER. THESE DRAWINGS ARE INTENDED FOR ARCHITECTURAL INFORMATION ONLY. THE CONTRACTOR AND ANY OTHER PERSON USING THESE DRAWINGS INFORMATION ARE ADVISED TO REFER TO CIVIL, STRUCTURE, MECHANICAL, SPRINKLERS, ELECTRICAL AND INTERIOR DESIGN RELATING TO THOSE DISCIPLINES.

THIS DRAWING/DESIGN IS THE EXCLUSIVE PROPERTY BELONGS TO BOUTHOUSE DESIGN GROUP INC. NO BODY IS AUTHORIZED TO USE OR REPRODUCE WITHOUT THE WRITTEN APPROVAL FROM BOUTHOUSE DESIGN GROUP INC.

No.	Revisions	Date

ISSUED FOR DP



BoutHouse Design Group Inc.

3-3331 VIKING WAY
RICHMOND, BC V6V 1W1
Phone: 604-330 7252
Email: info.bouthouse@gmail.com

Project Name

1964
W 35TH AVE.
VANCOUVER B.C.

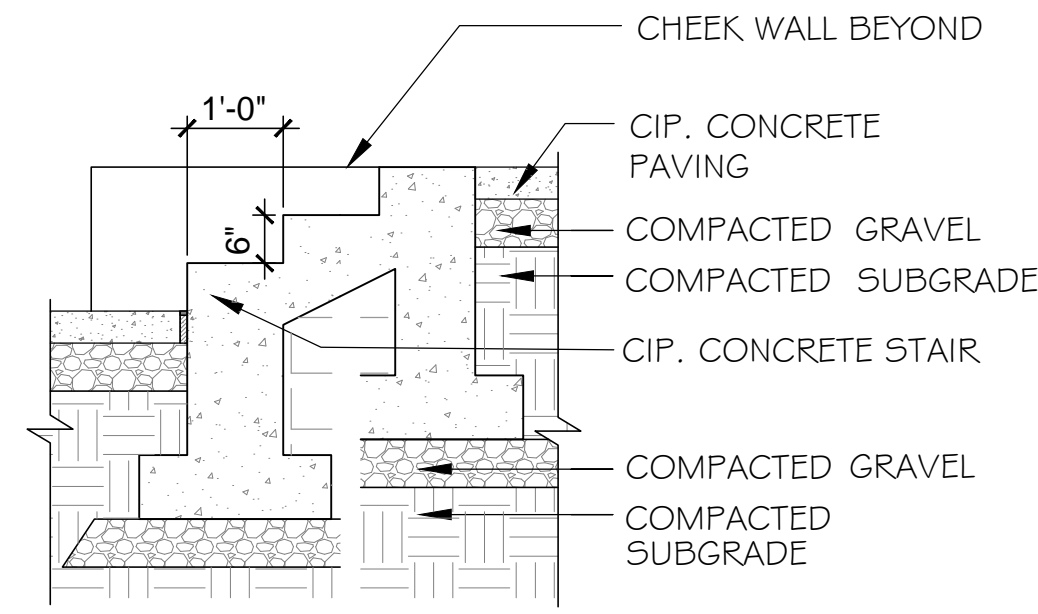
Sheet Name

LANDSCAPE PLAN

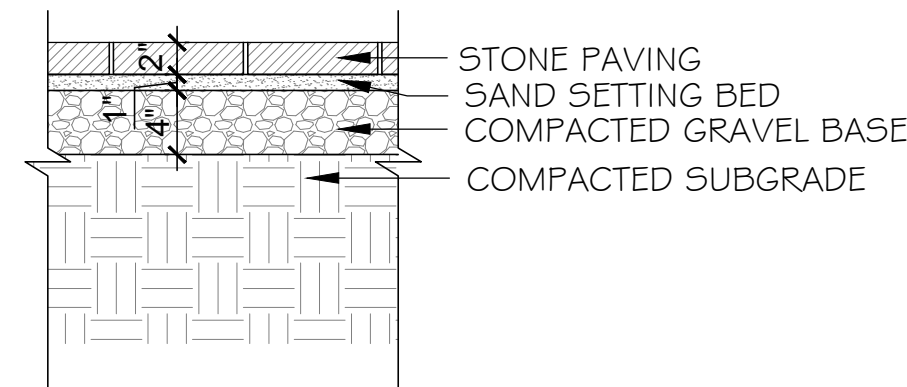
Date SEP. 6, 2018
Drawn by Yong Xu Yu

L1

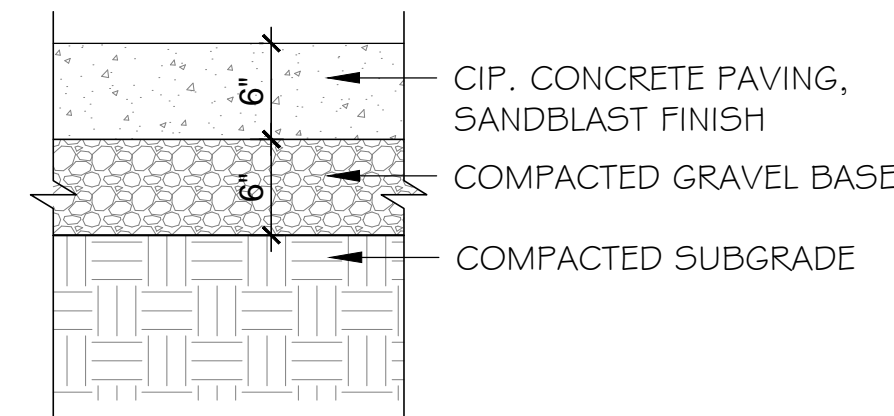
Scale 1/8" = 1'-0"



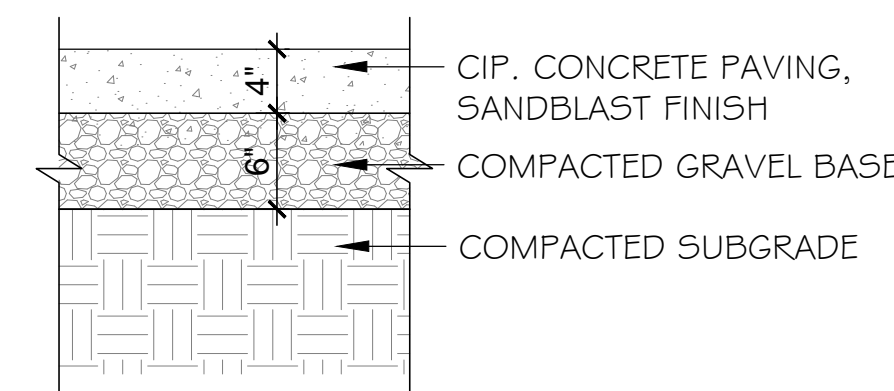
1 CIP. CONCRETE STAIR
SCALE: 1/2" = 1'-0"



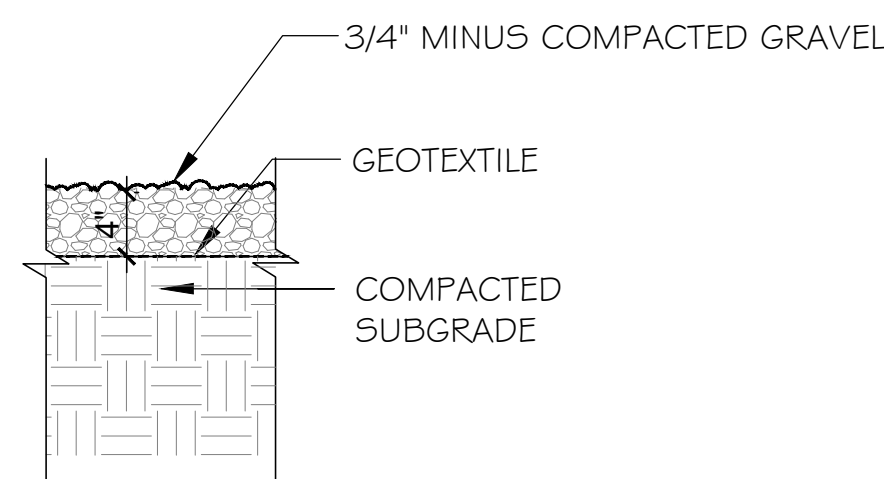
2 STONE PAVING
SCALE: 1" = 1'-0"



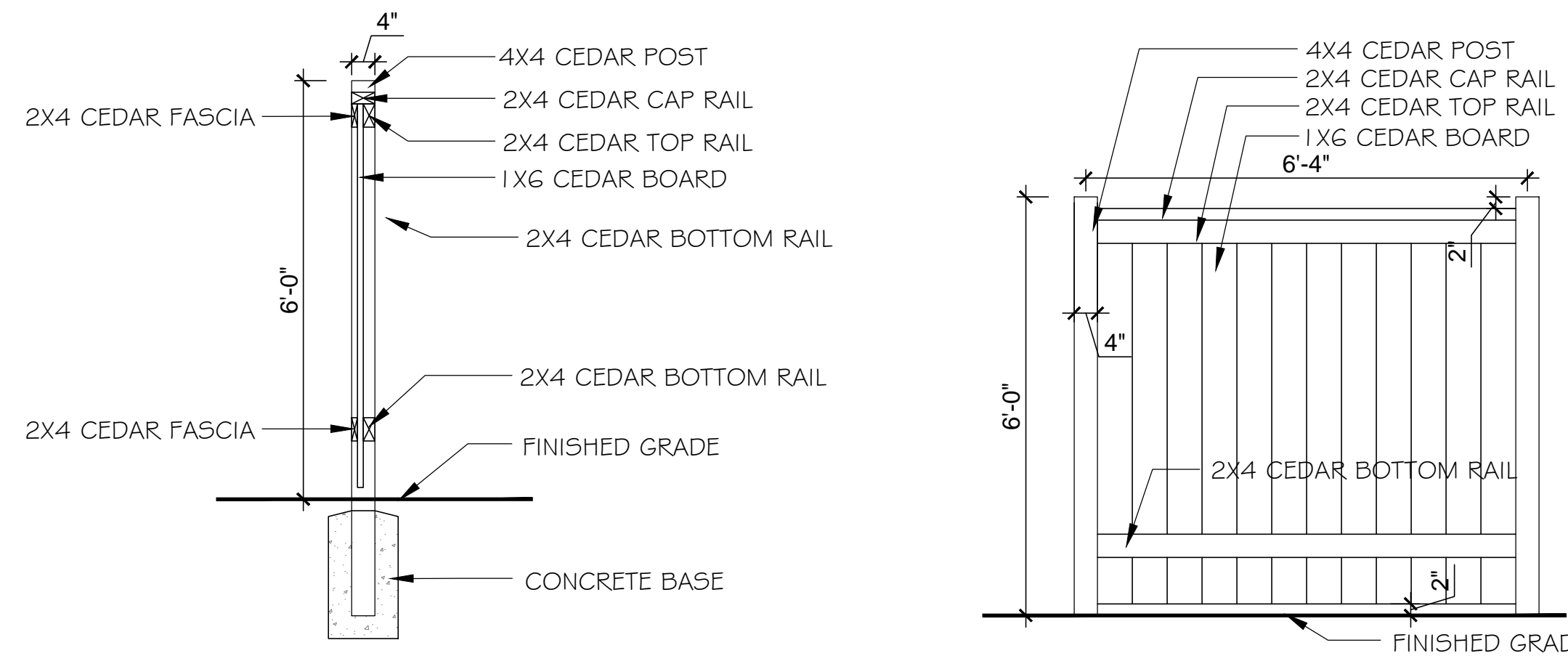
3 CIP. CONCRETE PAVING - VEHICLE
SCALE: 1" = 1'-0"



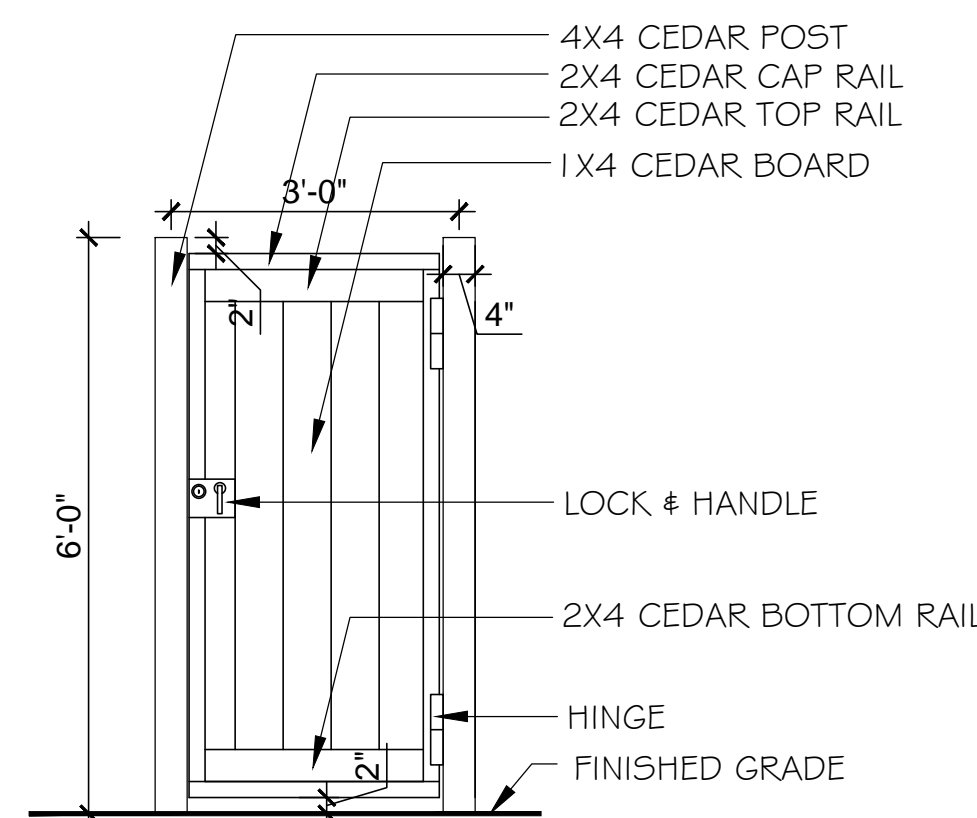
4 CIP. CONCRETE PAVING - PEDESTRIAN
SCALE: 1" = 1'-0"



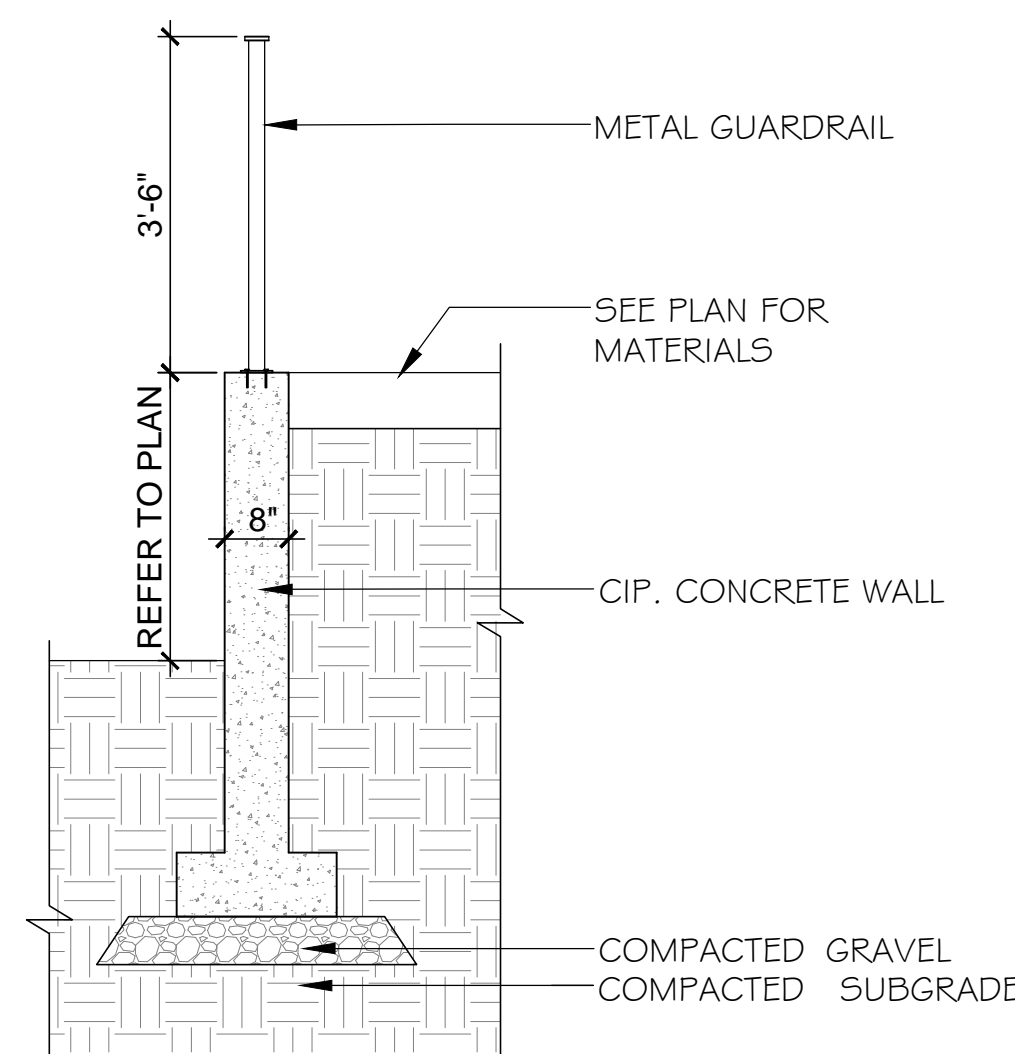
5 PERMEABLE GRAVEL PAVING
SCALE: 1" = 1'-0"



6 6' TALL CEDAR FENCE-REAR YARD
SCALE: 1/2" = 1'-0"



7 6' TALL CEDAR GATE
SCALE: 1/2" = 1'-0"



8 CIP. CONCRETE WALL
SCALE: 1/2" = 1'-0"

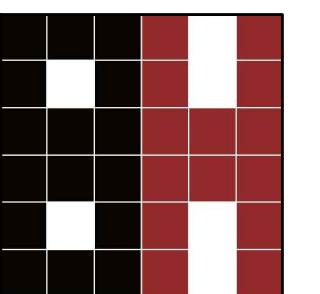
THIS PLANS ARE IN COMPLIANCE WITH V.B.B.L. 2014

THE GENERAL CONTRACTOR SHALL REVIEW THE DOCUMENTS FOR CONFORMANCE CODES AND BY-LAWS AND SHALL ADVISE THE DESIGNER OF ANY DISCREPANCY HE MAY NOTE. THE GENERAL CONTRACTOR SHALL CHECK AND VERIFY ALL DIMENSIONS AND REPORT ALL ERRORS AND OMISSIONS TO THE DESIGNER. DO NOT SCALE THE DRAWING. THESE DRAWINGS ARE INTENDED FOR ARCHITECTURAL INFORMATION ONLY. THE CONTRACTOR AND ANY OTHER PERSON USING THESE DRAWINGS INFORMATION ARE ADVISED TO REFER TO CIVIL, STRUCTURE, MECHANICAL, SPRINKLERS, ELECTRICAL AND INTERIOR DESIGN RELATING TO THOSE DISCIPLINES.

THIS DRAWING/DESIGN IS THE EXCLUSIVE PROPERTY BELONGS TO BOUTHOUSE DESIGN GROUP INC. NO BODY IS AUTHORIZED TO USE OR REPRODUCE WITHOUT THE WRITTEN APPROVAL FROM BOUTHOUSE DESIGN GROUP INC.

No.	Revisions	Date

ISSUED FOR DP



Bouthouse Design Group Inc.

3-3331 VIKING WAY
RICHMOND, BC V6V 1W1
Phone: 604-330 7252
Email: info.bouthouse@gmail.com

Project Name

1964
W 35TH AVE.
VANCOUVER B.C.

Sheet Name

LANDSCAPE
DETAILS

Date SEP. 6, 2018
Drawn by Yong Xu Yu

L2

Scale AS SHOWN