



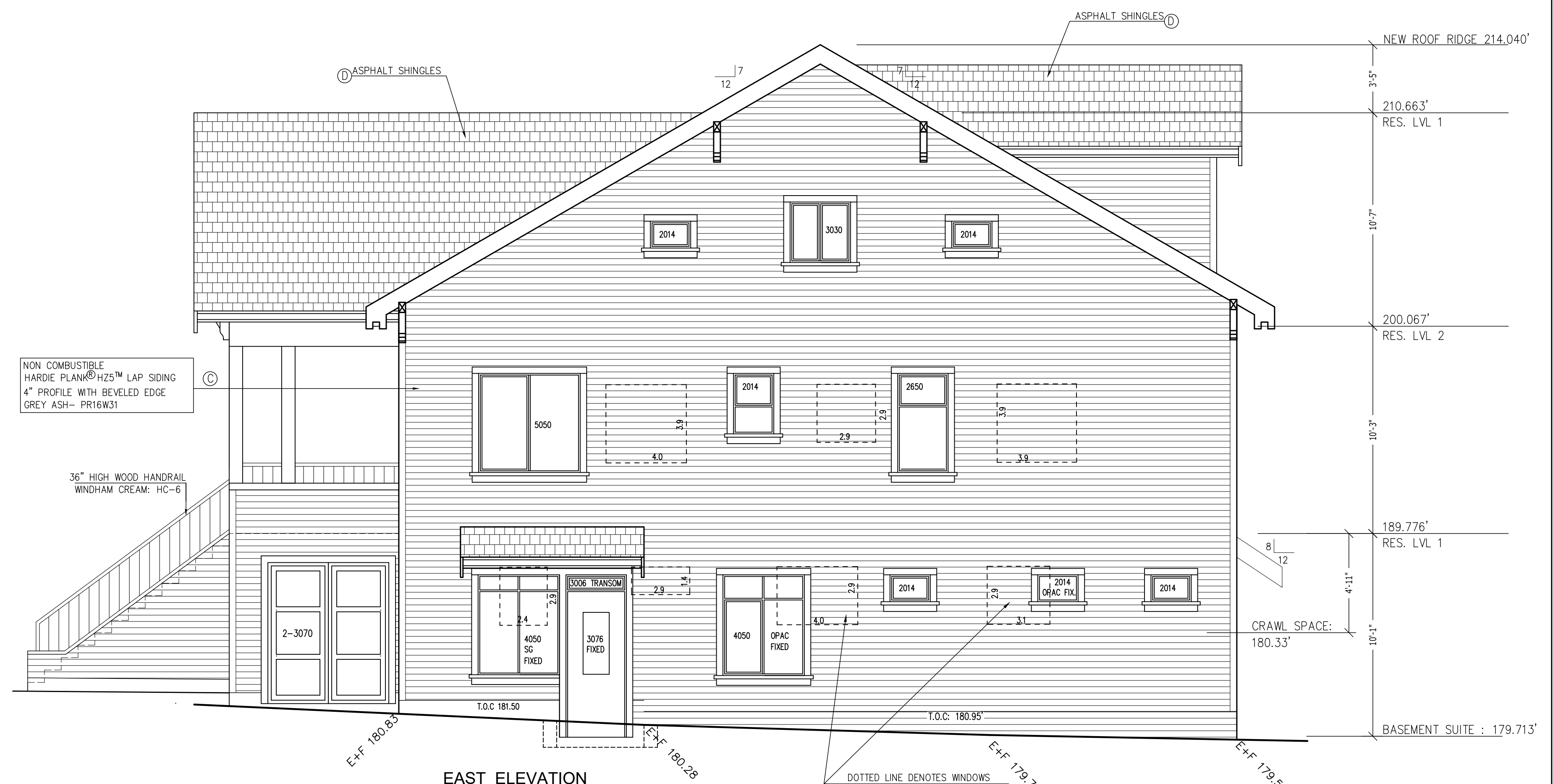
**SOUTH ELEVATION**



**WEST ELEVATION**



**NORTH ELEVATION**



**EAST ELEVATION**

MATERIALS AND COLORS LEGEND	
(A) WOOD SHINGLE AND WOOD SOFFITS WOOD SOFFITS: WINDHAM CREAM: HC-6	(ALL ARE "TYPICAL")
(B) 2X12 FASCIA 2X10 TRIM BOARD PAINTED WINDHAM CREAM: HC-6	(E) FRONT DOOR HIGH QUALITY WOOD FINISH FRONT DOOR WALNUT STAIN
(C) (NON COMBUSTIBLE HARDIE PLANK® HZ5™ LAP SIDING SHALL BE SMOOTH SURFACE 4" PROFILE WITH BEVELED EDGE GREY ASH- PR16W31)	(F) WOOD EAVE BRACKETS WINDHAM CREAM: HC-6
(D) ROOF- ASPHALT SHINGLE DARK GREY	(G) 42" HIGH WOOD GUARD RAIL DARK GREY
	(H) 2X6 WINDOW TRIM WINDHAM CREAM: HC-6



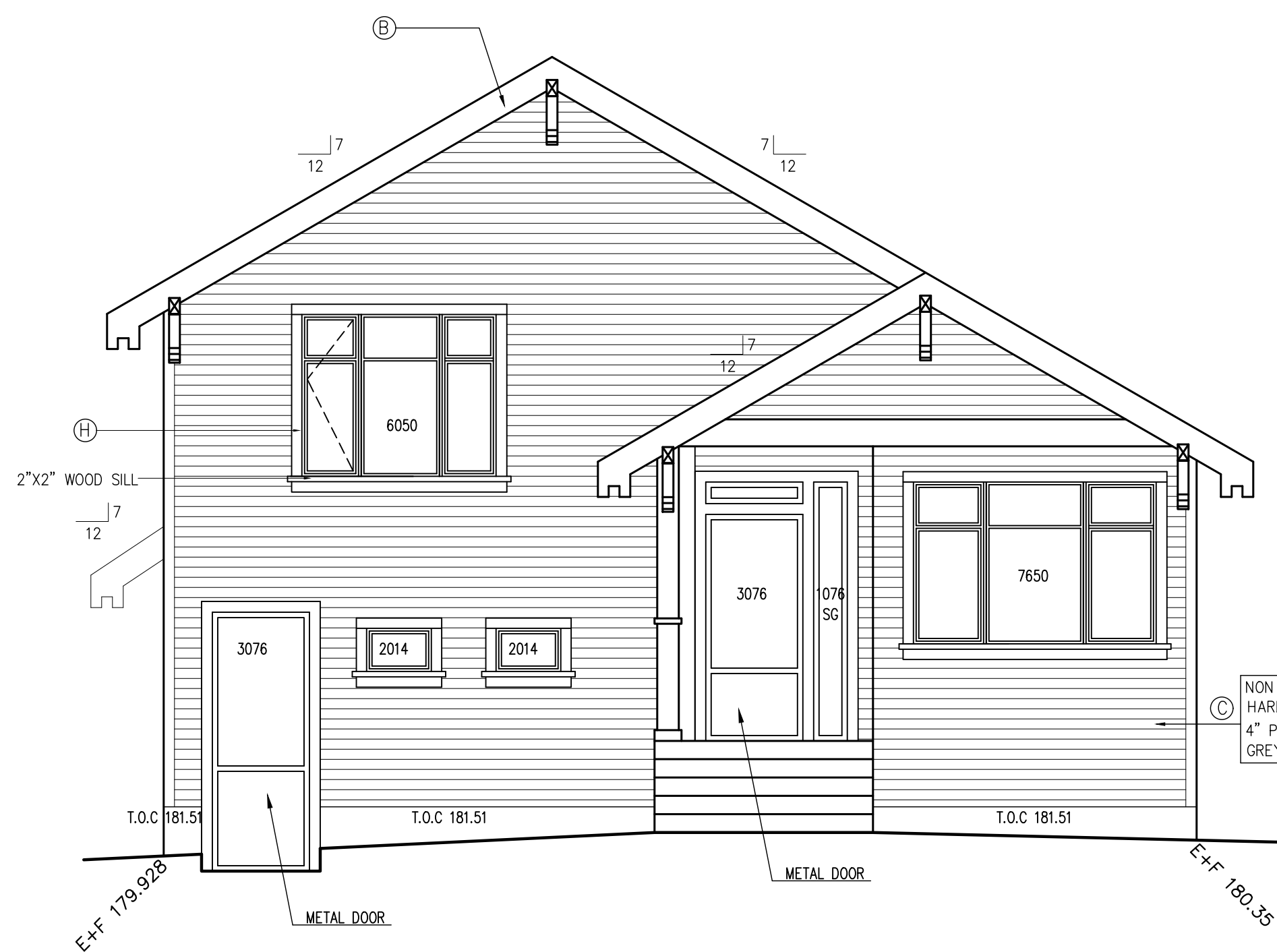
**MAPLE BUILDING DESIGN AND CONSULTING (MBDC)**  
 This drawing/design is at all times the exclusive property of Maple Building Design and Consulting. It may not be used or duplicated without written consent.

6608 MAIN STREET, Vancouver, B.C., V5X 3H2  
 Phone/Fax 604-323-2572  
 604-771-6650  
 Fax 604-324-2572  
 E-mail asit@shaw.ca

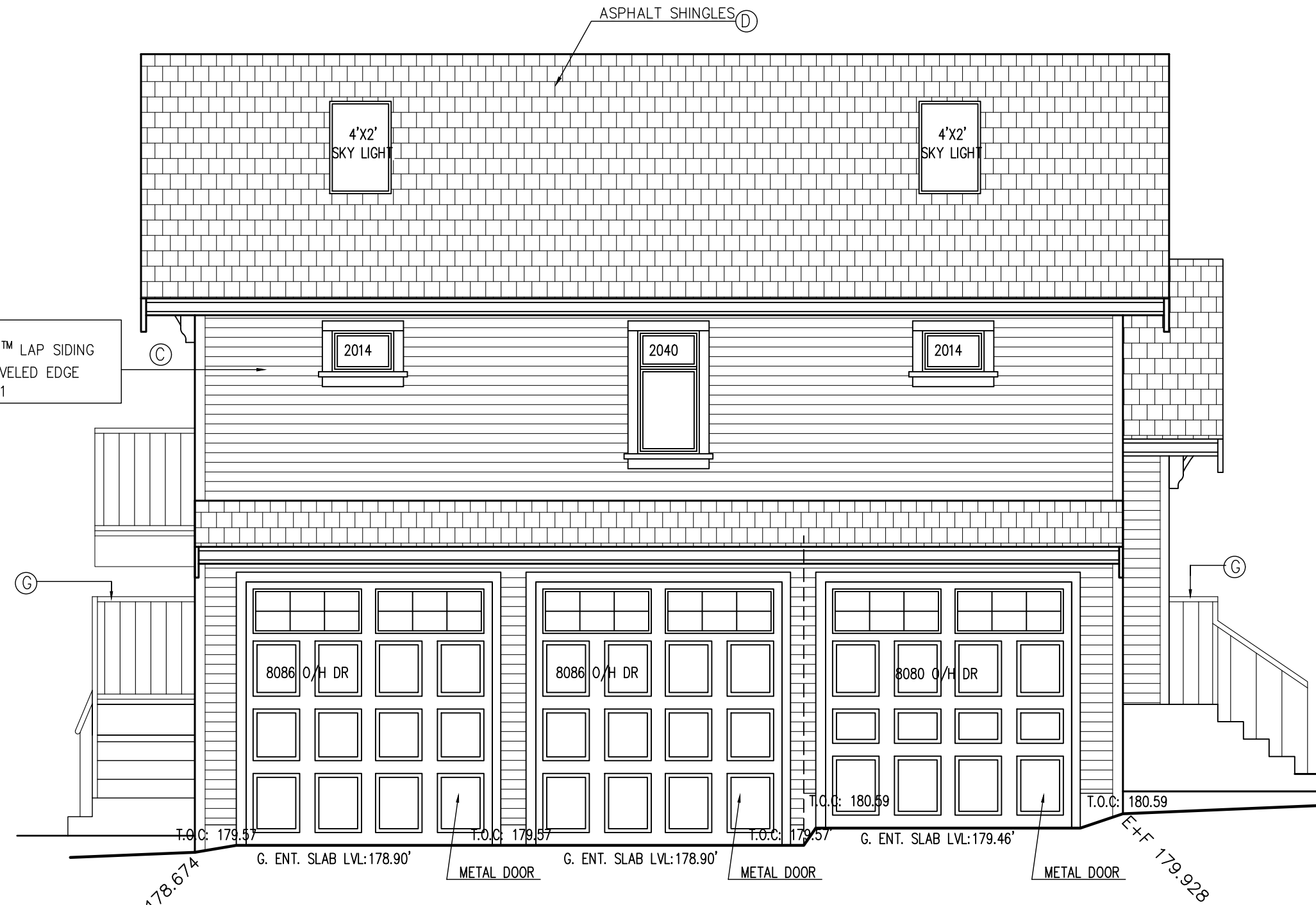
SITE ADDRESS: 1727 EAST 22ND AVENUE (PRIMARY BLD), VANCOUVER, BC

DRAWING TITLE: EXISTING ELEVATIONS  
 SCALE: 1/4"=1'-0"  
 DRAWN BY: ASIT  
 DATE: JUN 12, 2019

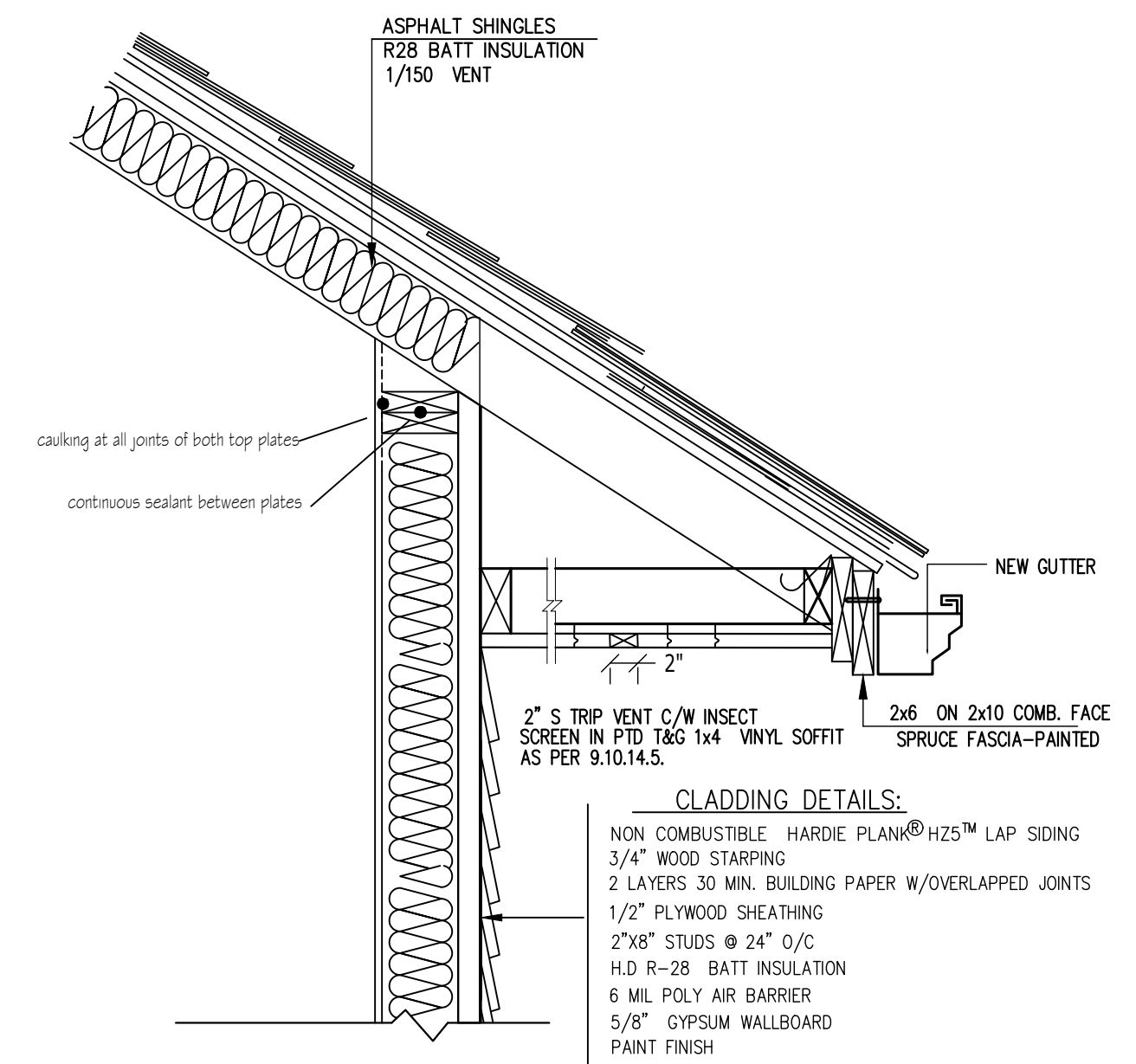
BUILDER: VARINDER  
 PHONE: 604 961 1512  
 DRAWING NUMBER: A 005



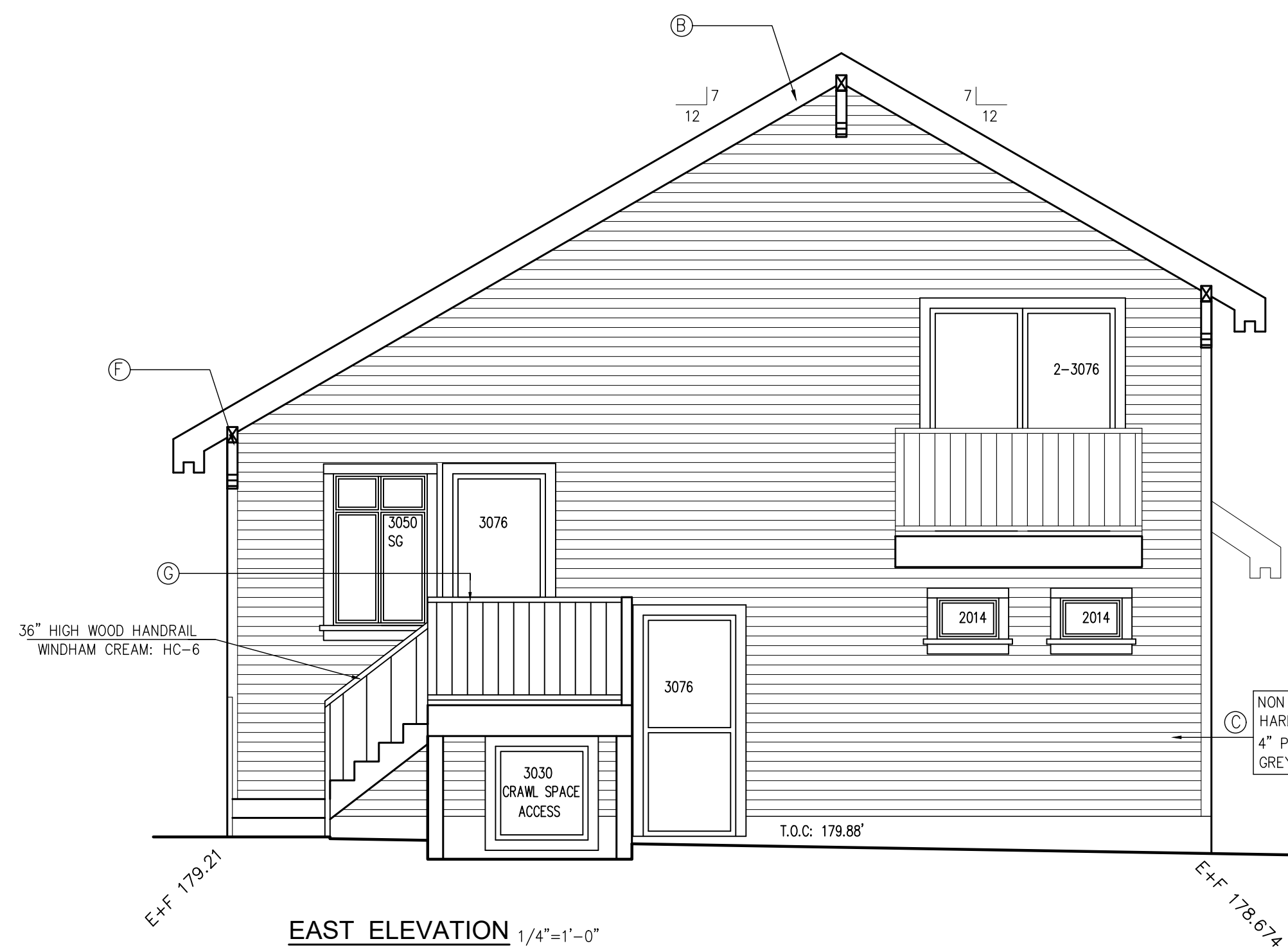
WEST ELEVATION 1/4"=1'-0"



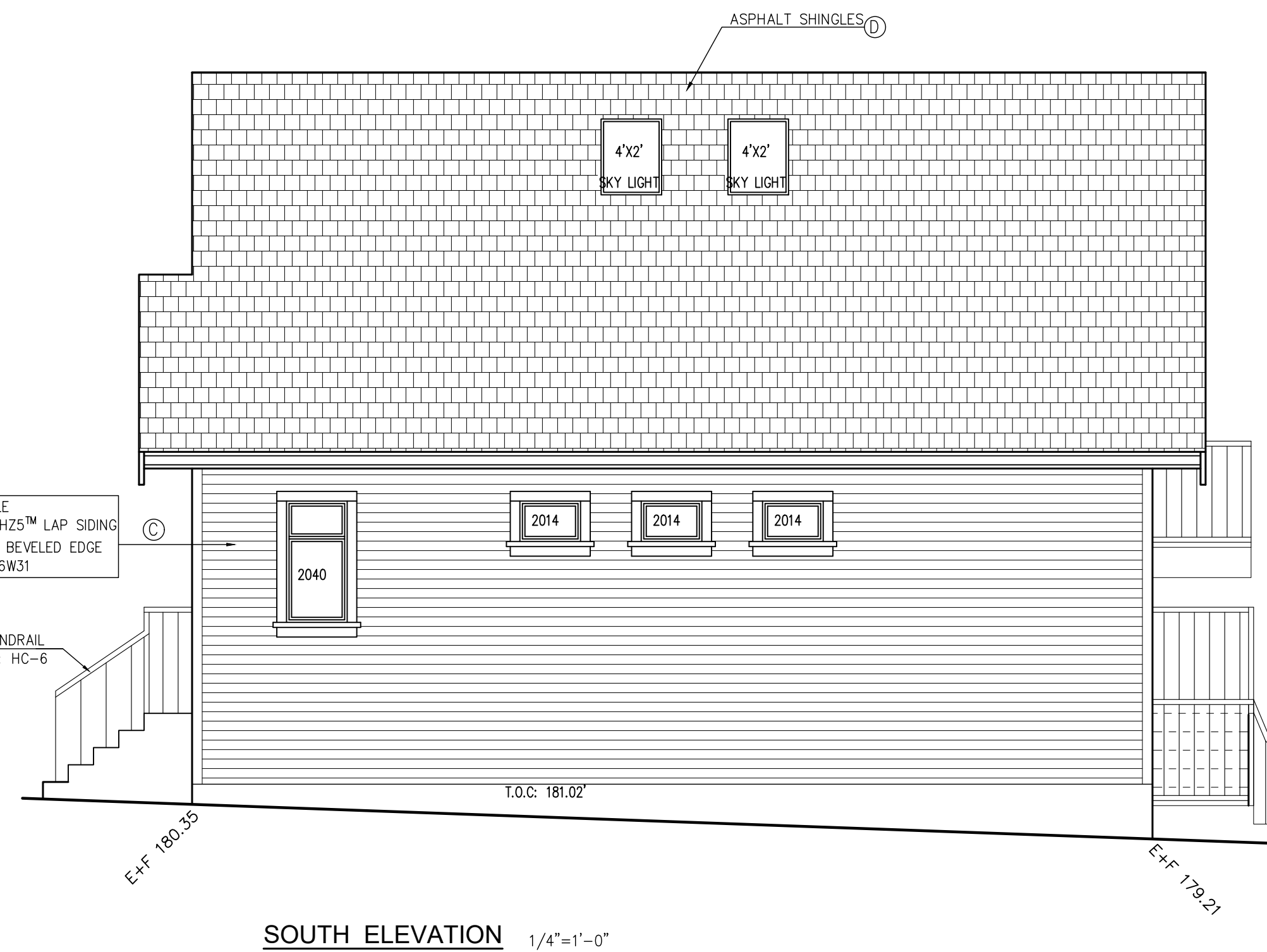
NORTH ELEVATION 1/4"=1'-0"



NORTH & SOUTH SIDE ROOF/WALL DETAIL FOR SECONDARY BUILDING (NTS)



EAST ELEVATION 1/4"=1'-0"



SOUTH ELEVATION 1/4"=1'-0"

MATERIALS AND COLORS LEGEND	
(A) WOOD SHINGLE AND WOOD SOFFITS WOOD SOFFITS: WINDHAM CREAM: HC-6	(ALL ARE "TYPICAL")
(B) 2X12 FASCIA 2X10 TRIM BOARD PAINTED WINDHAM CREAM: HC-6	(E) FRONT DOOR HIGH QUALITY WOOD FINISH FRONT DOOR WALNUT STAIN
(C) (NON COMBUSTIBLE HARDIE PLANK® HZ5™ LAP SIDING SHALL BE SMOOTH SURFACE 4" PROFILE WITH BEVELED EDGE GREY ASH- PR16W31	(F) WOOD EAVE BRACKETS WINDHAM CREAM: HC-6
(D) ROOF-ASPHALT SHINGLE DARK GREY	(G) 42" HIGH WOOD GUARD RAIL DARK GREY
	(H) 2X6 WINDOW TRIM WINDHAM CREAM: HC-6

SITE ADDRESS: 1727 EAST 22ND AVENUE (SECONDARY BLD), VANCOUVER, BC

DRAWING TITLE: SECONDARY BUILDING ELEVATIONS & DETAIL  
SCALE: 1/4"=1'-0"  
DRAWN BY: ASIT  
DATE: JUNE 12, 2019

BUILDER: VARINDER  
PHONE: 604 961 1512  
DRAWING NUMBER:  
A 008

MAPLE BUILDING DESIGN AND CONSULTING (MBDC)  
6608 MAIN STREET, Vancouver, B.C., V5X 3H2  
Phone/Fax: 604-323-2572 / 604-771-6650  
Fax: 604-324-2572  
E-mail: asit@shaw.ca