

Copyright Reserved:

This drawing and design are and of all times remain the exclusive property of Diamond Architectural Group Inc. and may not be used or reproduced without consent. Written dimensions shall have precedence over scaled dimensions. The contractor shall verify all dimensions on the job and shall be responsible for notifying Diamond Architectural Group Inc. of any variations between job conditions and conditions shown on the drawing.

Job Number:
16084A

Project:
1162 Rose St.
Renovation:

LANDSCAPE PLAN ISSUED FOR
DP 2017-10-05
ISSUED FOR CLIENT REVIEW
2017-09-27
ISSUED FOR DP
2017-07-12
ISSUED FOR PRELIMINARY
CODE REPORT
2017-04-06

Submissions:

Drawn: EG / DG

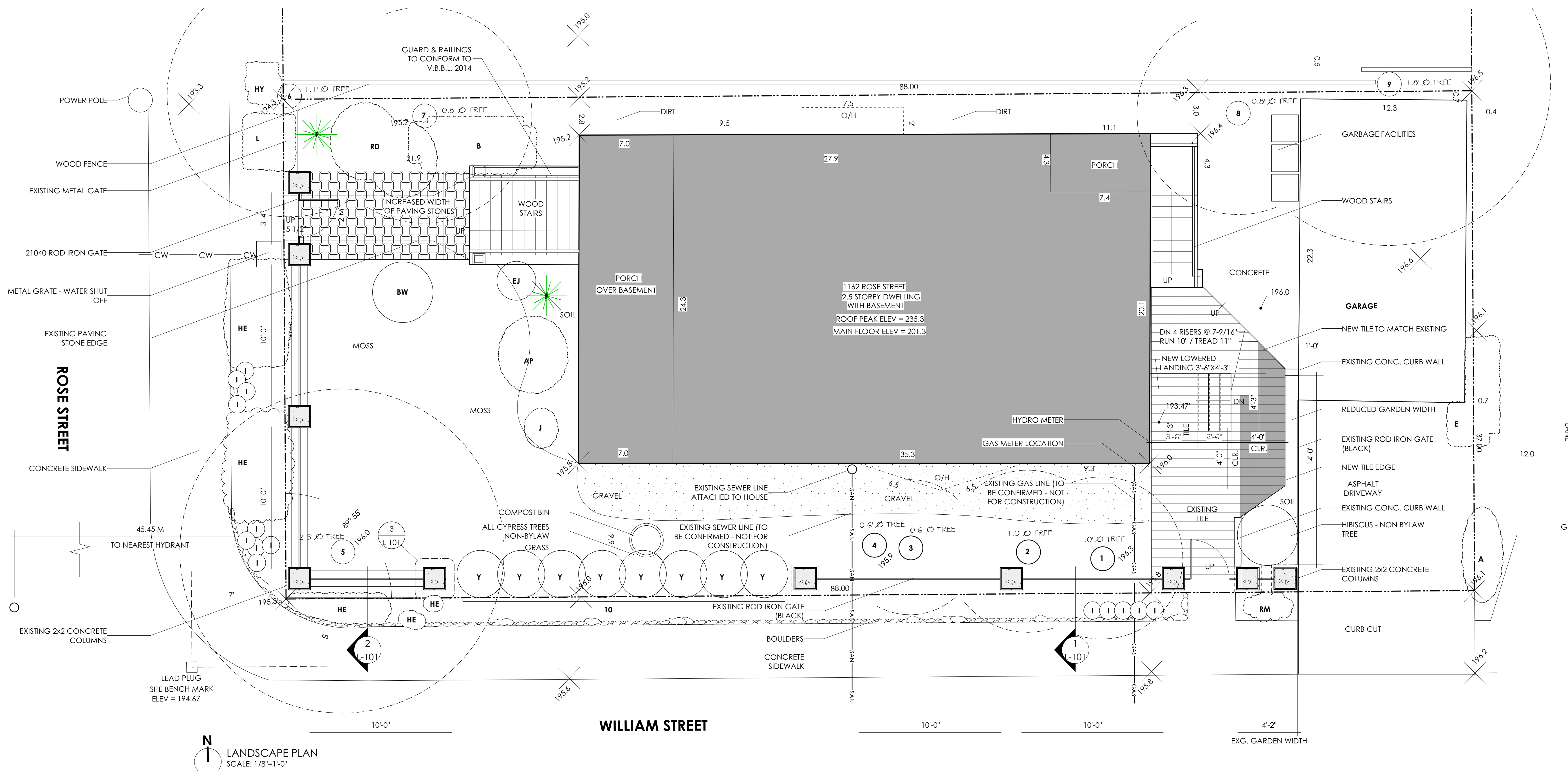
Checked: EG

Scale: AS NOTED

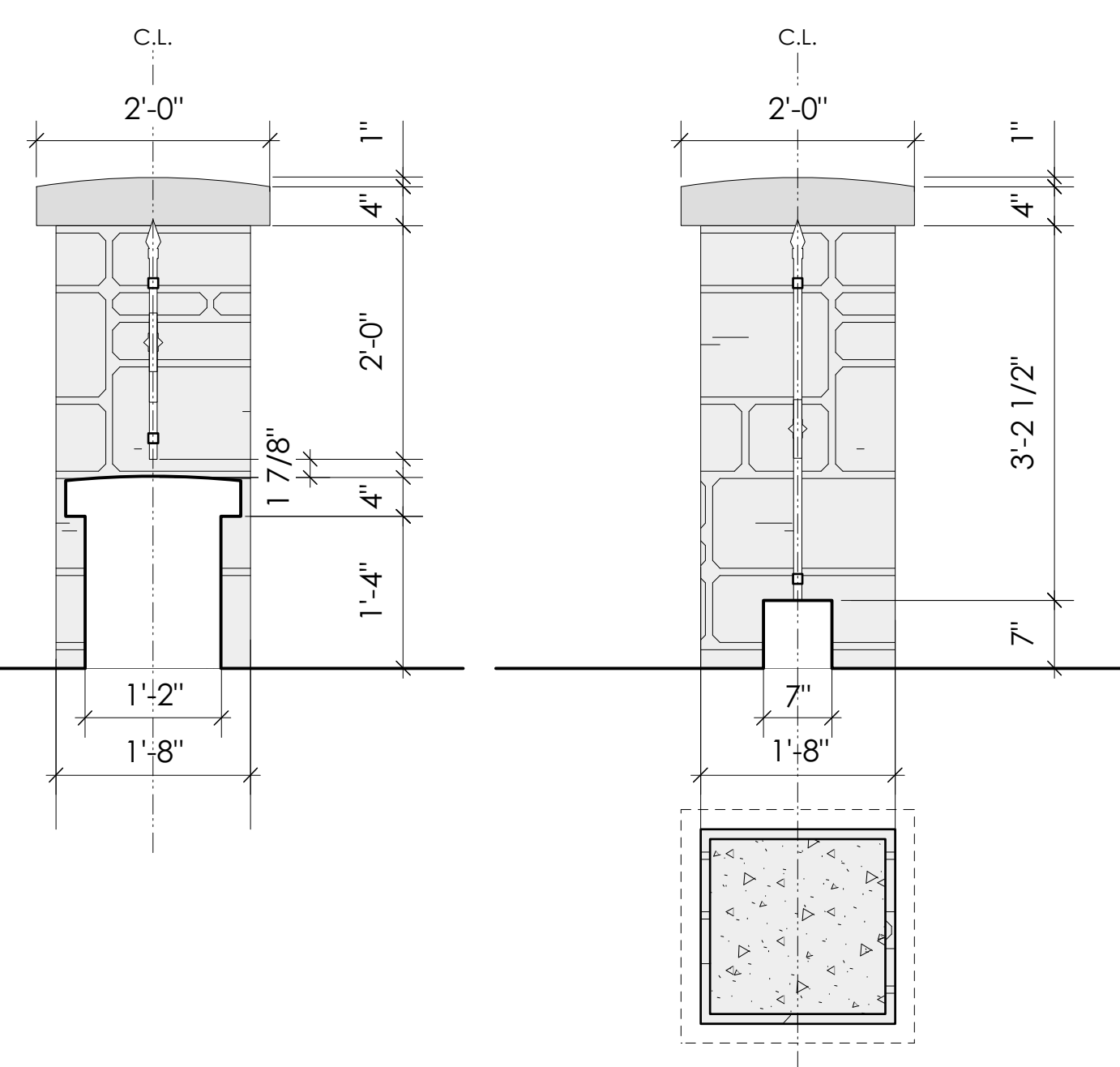
Drawing Title:

LANDSCAPE
PLAN

L-101



N
LANDSCAPE PLAN
SCALE: 1/8"=1'-0"



2 SECTION 2
3/4"=1'-0"

1 SECTION 1 / 3
3/4"=1'-0"

TREE LEGEND

- 1. HIBISCUS
- 2. LILAC
- AP. AZTEC PEARL
- BW. BOX WOOD
- 4. HIBISCUS
- 5. SPRUCE
- 6. CYPRESS
- 7. CYPRESS
- 8. CYPRESS
- 9. MAPLE
- 10. YEWE

SYMBOL	COMMON NAME	LATIN
E	EUPHORBIA	EUPHORBIA RIGIDA
B	BAMBOO	BAMBUSOIDEAE
AP	AZTEC PEARL	C. DUMOSA VAR. ARIZONICAXC. TERNATA
BW	BOX WOOD	BUXUS SEMPERVIRENS
F	SWORD FERN	EPTOSPORANGIATE FERNS
J	JASMINE	JASMINEAE
I	IRIS	IRIS IRIDACEAE
HE	HEATHER	CALLUNA VULGARIS
HY	HYDRANGEA	HYDRANGEA MACROPHYLLA
RD	RHODODENDRON	RHODODENDRON FERRUGINEUM
EJ	JAPONICA	PIERIS JAPONICA CAVATINE
RM	ROSEMARY	ROSMARINUS OFFINALIS
Y	YEWE	TAXUS BACCATA
A	AVERRHOA	CARAMBOLA L. OXALIDACEAE
RS	ROSE OF SHARON	HIBISCUS SYRIACUS