

TREES

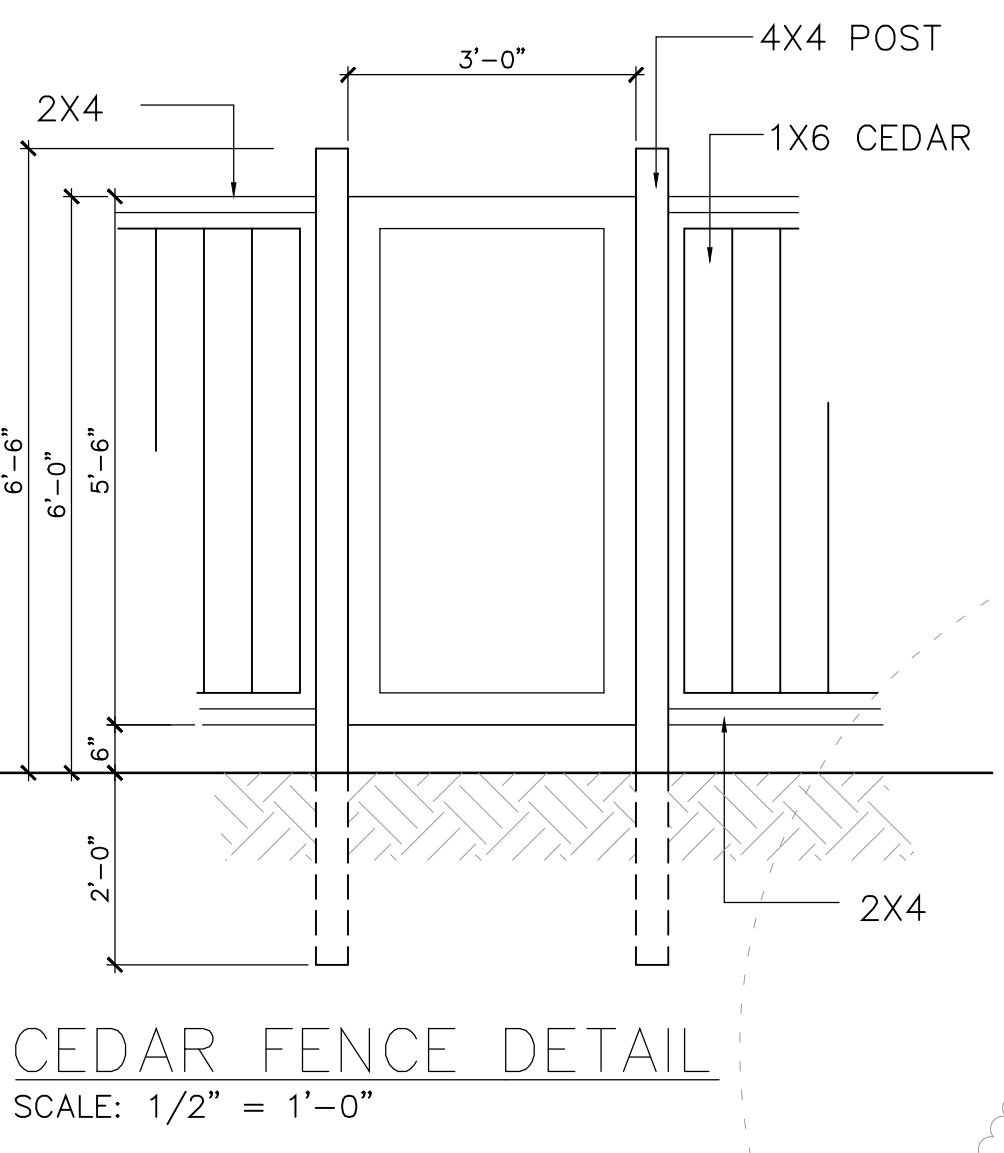
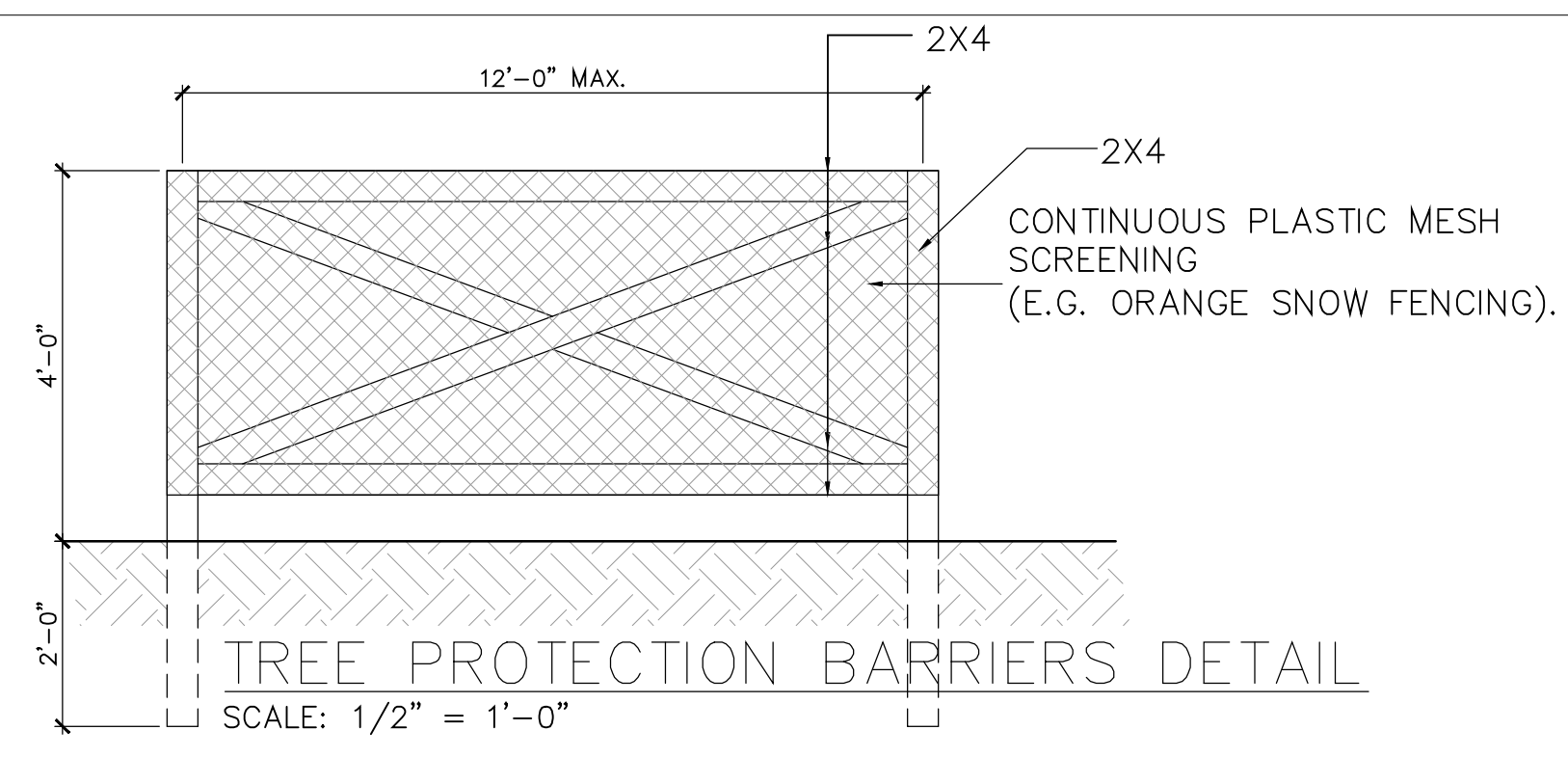
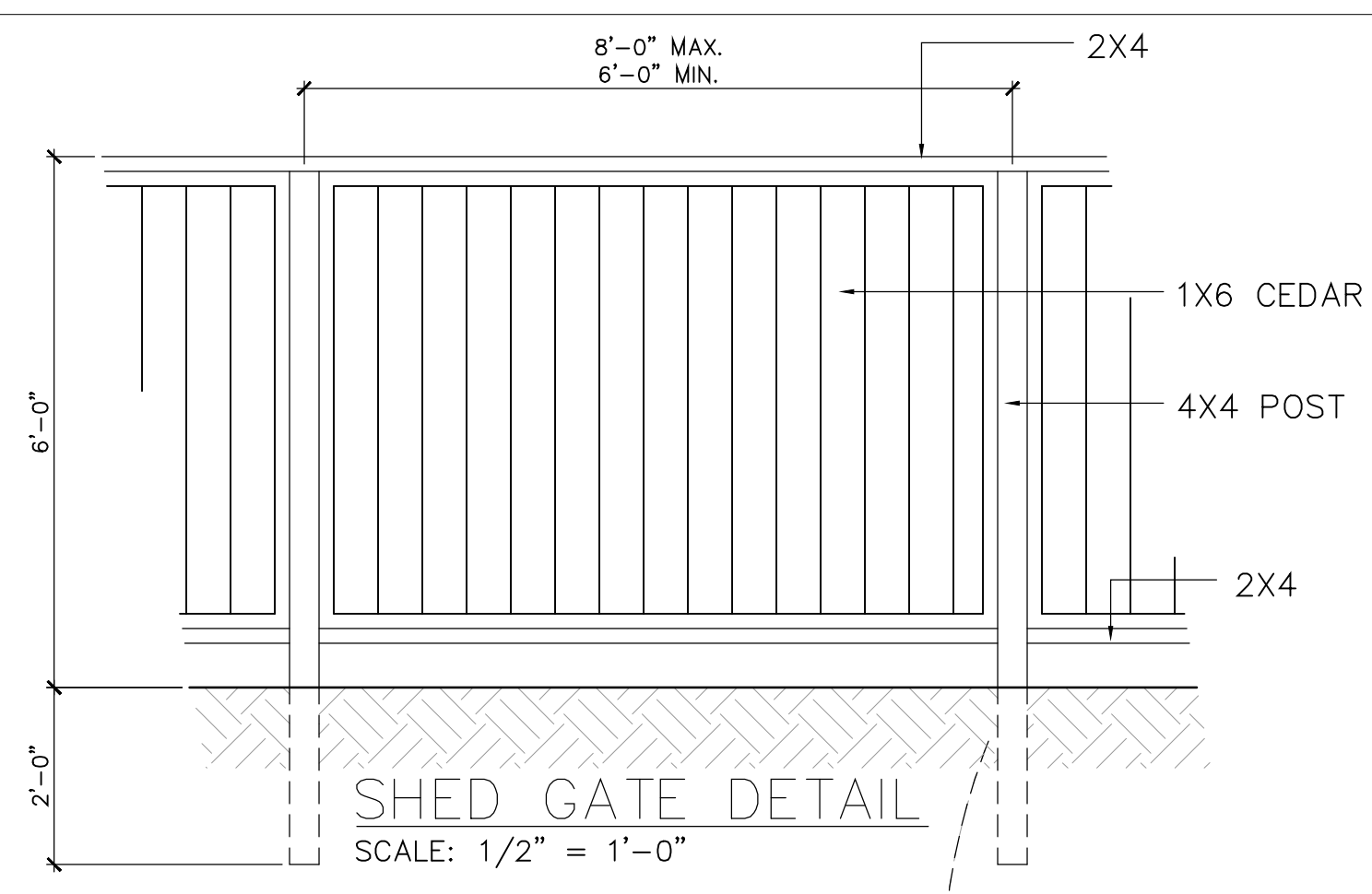
SYMBOL	NO.	BOTANICAL NAME	COMMON NAME	SIZE
	5	Pieris Japonica	Lily-of-the-Valley Shrub	#3 Pot
	84	Polystichum Munitum	Sword fern	#2 Pot
	6	Quercus Palustris	Pin Oak	7cm cal.

SHRUBS

SYMBOL	NO.	BOTANICAL NAME	COMMON NAME	SIZE
	5	Tally Ho	Rhododendron	#5 Pot
	3	Anna Rose Whitney	Rhododendron	3'
	7	Rhodo Cream Crest	Rhododendron	#3 Pot
	5	Abelia Edward Goucher	Dwarf Abelia	#2 Pot

GENERAL NOTES:

CONTRACTOR SHALL VERIFY ALL DIMENSIONS, DATUM AND LEVELS PRIOR TO COMMENCEMENT OF WORK. ALL ERRORS AND OMISSIONS TO BE REPORTED IMMEDIATELY TO THE DESIGNER. MIN. 41-0" HIGH TREE PROTECTION BARRIER TO BE INSTALLED AS PER VANCOUVER TREE BY-LAW AS INDICATED. THE ENTIRE BUILDING TO BE FIRE SPRINKLERED TO THE REQUIREMENTS OF NFPA 13D. SECURITY BLOCKING AT ALL ENTRIES AS PER V.B.B.-L. WATERPROOF BACKING MATERIAL BEHIND ALL BATHTUBS AND SHOWER ENCLOSURES AS PER V.B.B.-L. PREFABRICATED FIREPLACES TO CONFIRM TO THE V.B.B.-L.



DLD
DOUBLE LINK x DESIGN
108-408 EAST KENT AVENUE SOUTH,
VANCOUVER, B.C.
604-518-4266
YELING1216@HOTMAIL.COM

No.	Description	Date
1	BP	OCT 16, 2017

2991 SW MARINE DRIVE
VANCOUVER, B.C.

LANDSCAPE PLAN

Project number	-
Date	Issue Date
Drawn by	candice
Checked by	CY

L1 OF 1
Scale AS SHOWN

LANDSCAPE PLAN
SCALE: 1/8" = 1'-0"